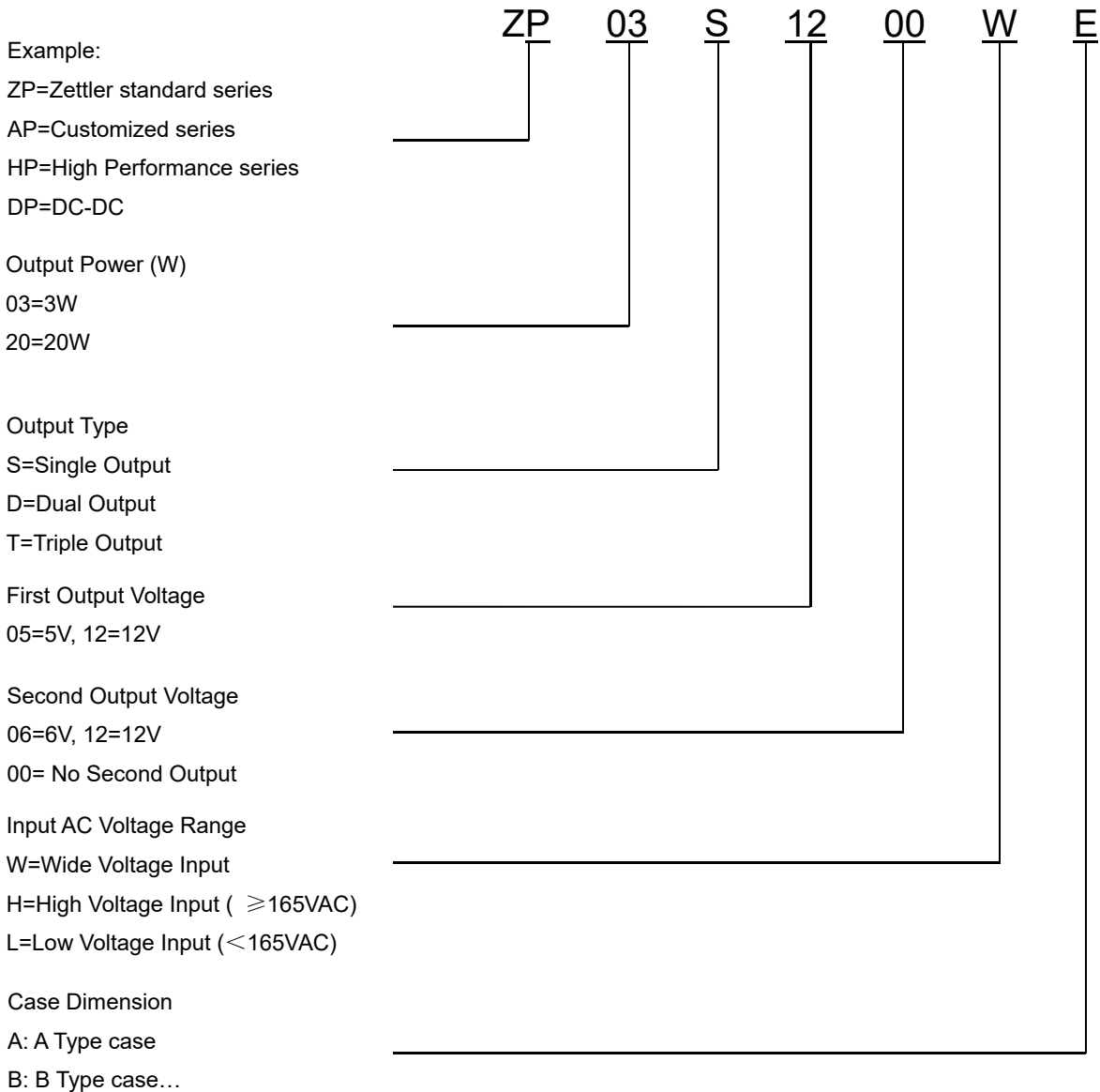




ORDERING CODE (命名规则)



FEATURES (产品特点)

- PCB mounted switching power module
- AC input voltage range: 85VAC~265VAC
- DC input voltage range: 100VDC~370VDC
- Ambient temperature range: -25°C~50°C
- Storage temperature range: -40°C~105°C
- Leakage current (Input :265VAC): <0.1mA
- Isolation voltage: Input –Output ≥3000VAC 60S
- Insulation Resistance: Input –Output 500VDC ≥100M Ohms
- MTBF: 300Khrs Min MIL-HDBK-217F (25°C)
- Compact size, easy installation
- High efficiency Low standby power consumption, environment-friendly
- Built-in output over current protection, over-voltage protection, short circuit protection
- Built-in EMI filter components, comply with the EN55032 class B standard
- Class II Construction

APPLICATIONS (应用)

This series could be widely applied in the LED, light control, Instrument, smart home and other home appliances.

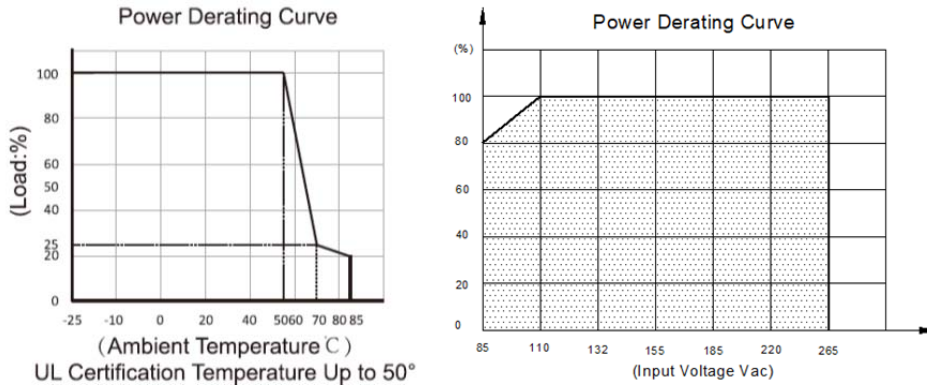
MODEL LIST (型号列表)

Model No.	Output Power	DC Voltage	Rated Current	Efficiency 230VAC, % Typ.	Ripple&Noise (max)	Ambient TEMP(°C)	Weight	Certificate		
								UL	TUV	CE
ZP03S0500WE	3W	5 Vdc	600mA	65%	<5% Vout	50	15g	●	●	●
ZP03S0600WE	3W	6 Vdc	500mA	65%	<5% Vout	50	15g	●	●	●
ZP03S0700WE	3W	7.5Vdc	400mA	65%	<5% Vout	50	15g	●	●	●
ZP03S0800WE	3W	8Vdc	375mA	65%	<5% Vout	50	15g	●	●	●
ZP03S0900WE	3W	9Vdc	333mA	65%	<5% Vout	50	15g	●	●	●
ZP03S1000WE	3W	10Vdc	300mA	65%	<5% Vout	50	15g	●	●	●
ZP03S1200WE	3W	12Vdc	250mA	65%	<5% Vout	50	15g	●	●	●
ZP03S1500WE	3W	15Vdc	200mA	65%	<5% Vout	50	15g	●	●	●
ZP03S1800WE	3W	18Vdc	166mA	65%	<5% Vout	50	15g	●	●	●
ZP03S2400WE	3W	24Vdc	125mA	65%	<5% Vout	50	15g	●	●	●

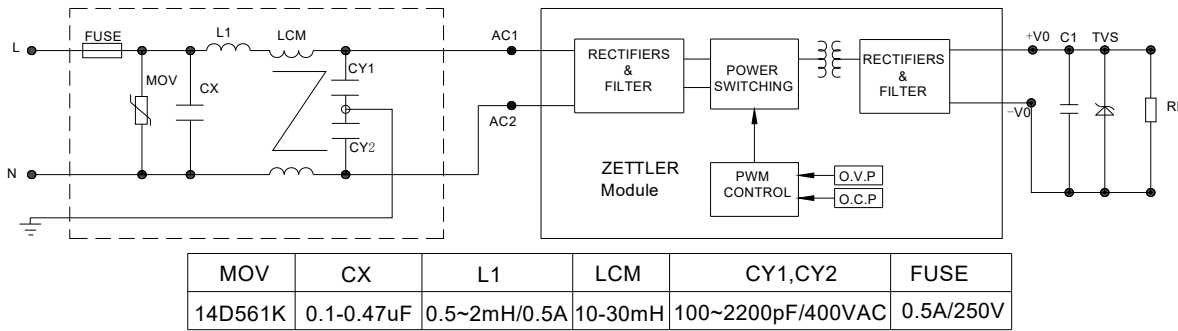
ELECTRICAL SPECIFICATION (电性能参数)

Model No. / 型号		Specification		
Input 输入参数	Rated Voltage / 额定电压	100-240VAC		
	Voltage Range / 输入电压范围	85-265VAC or 100-370VDC		
	Frequency (Hz) / 输入频率范围	47-63 Hz		
	Current (Full load) / 输入电流	115VAC	230VAC	
		70mA	40mA	
	Inrush Current (<500us) / 冲击电流	10A	20A	
	No Load Loss / 待机功耗	0.3W Max		
HOT PLUG / 热拔插	Unavailable			
Output 输出参数	Voltage (V) / 输出电压	Refer to "Model List"		
	Current (mA) max. / 输出额定电流	Refer to "Model List"		
	Voltage Accuracy / 输出电压精度	0-10%: $\pm 7\%$ / 10-100% : $\pm 5\%$		
	Line Regulation / 线性调节率	$\pm 2\%$		
	Load Regulation / 负载调节率	$\pm 3\%$		
	Minimum Load (mA) / 最小负载	0		
	Ripple & Noise / 输出纹波	Refer to "Model List"		
	Efficiency (typ.) / 工作效率	Refer to "Model List"		
	Set-up Time / 开机时间	15.9ms/230VAC, 23.8ms/115VAC		
	Hold up Time / 掉电保持时间(典型值)	20ms/230VAC, 10ms/115VAC		
Protection 保护特性	Over Current Protection / 过流保护	$\geq 120\%$ Io Self-recovery		
	Short Circuit Protection / 短路保护	Hiccup ,continuous ,short capable, self-recovery		
Environment 环境	Operating Temperature / 工作温度	-25°C...+50°C @Free air convection		
	Operating Humidity / 工作湿度	10-90% RH		
	Storage Temperature / 存储温度	-40°C...+105°C		
	Storage Humidity / 存储湿度	5-95% RH		
	Temperature Coefficient/温度漂移系数	$\pm 0.05\%/^{\circ}\text{C}$ (0~50°C)		
Physical 外观结构	Case Material / 外壳材质	Plastic (UL 94V-0 rated)		
	Weight / 产品净重	15g (ref.)		
Safety & EMC 安全认证及 电磁兼容	Dielectric Strength / 绝缘强度	I/P-O/P : 3000VAC		
	Safety Standards / 安全标准	Compliance With UL/EN60950-1, UL/EN62368-1, EN61558-2-16		
	EMI / 电磁兼容	Compliance With EN55032 CLASS B, EN61000-3-2, EN61000-3-3	Need to add external EMC component (Refer to the Schematic)	
	EMS (Noise Immunity)/ 电磁抗干扰	Compliance With EN55035		
Reliability Requirement 可靠性要求	MTBF/平均故障间隔时间	300Khrs Min MIL-HDBK-217F (25°C)		
	Burn-In Test/ 老化测试	The unit shall be burned in for 2~4 hours under 264Vac input and with full load at normal temperature		

PRODUCT CHARACTERISTIC CURVE (产品特性曲线)



TYPICAL APPLICATION SCHEMATIC (典型应用电路)



Note: External circuit components are only recommendations, customers should choose their own components and values according to their specific system application requirements.

MECHANICAL SPECIFICATION (尺寸图)

