

AZSR235/250

50A (35A)

MINIATURE POWER RELAY

FEATURES:

- 50 Amp switching (AZSR250)
- 35 Amp switching (AZSR235)
- Wide contact gap > 1.85 mm (AZSR250)
- Wide contact gap > 2.05 mm (AZSR235)
- Holding power <100 mW
- Dielectric strength 5000 Vrms
- Isolation spacing greater than 10 mm
- Reinforced insulation, EN 60730-1 (VDE 0631, part 1), EN 60335-1 (VDE 0700, part 1)
- UL, CUR file E44211
- VDE file 40033251
- CQC certificate 15002138157



CONTACTS

Arrangement	SPST (1 Form A) DPST (2 Form A)
Ratings	Resistive load: AZSR235 Max. switched power: 1050 W or 9695 VA Max. switched current: 35 A Max. switched voltage: 150 VDC* or 440 VAC Max. continuous current: 35 A AZSR250 Max. switched power: 1500 W or 13850 VA Max. switched current: 50 A Max. switched voltage: 150 VDC* or 440 VAC Max. continuous current: 50 A * Note: If switching voltage is greater than 30 VDC, special precautions must be taken. Please contact the factory.
Rated Load UL/CQC/TÜV	AZSR235 35A at 277 VAC, resistive AZSR250 50A at 277 VAC, resistive
VDE	AZSR235 35A at 263 VAC, AC-7a, 85°C AZSR250 50A at 263 VAC, AC-7a, 85°C
Material	Silver tin oxide
Resistance	<50 mΩ initially (at 6V, 1A, voltage drop method)

GENERAL DATA

Life Expectancy Mechanical Electrical	Minimum operations 1 x 10 ⁶ 3 x 10 ⁴ at 35 A 250 VAC Res.(AZSR235) 3 x 10 ⁴ at 50 A 250 VAC Res.(AZSR250)
Operate Time(typical)	40 ms at nominal coil voltage
Release Time(typical)	5 ms at nominal coil voltage (with no coil suppression)
Dielectric Strength (at sea level for 1min.)	5000 Vrms coil to contact 2500 Vrms between contact sets 2500 Vrms between open contacts
Insulation Resistance	1,000 MΩ min. at 20°C 500VDC 50% RH
Insulation (according to DIN VDE 0110, IEC 60664-1)	C250 Overvoltage category: III Pollution degree: 3 Nominal voltage: 250 VAC
Dropout	Greater than 5% of nominal coil voltage
Ambient Temperature Operating	At nominal coil voltage -40°C(-40°F) to 85°C(185°F)
Vibration	0.062" (1.5 mm) DA at 10–55 Hz
Shock	10 g
Enclosure	PA
Terminals	Tinned copper alloy, P.C.
Max. Solder Temp.	270°C (518°F)
Max. solder time	5 seconds
Weight	105 g
Packing unit in pcs	10 per inner carton / 100 per carton box

NOTES

1. All values at 20°C (68°F)
2. Relay may pull in with less than "Must Operate" value
3. Specifications subject to change without notice
4. PCB terminal downward mounting is prefer

ZETTLER RELAY (XIAMEN) CO., LTD. www.zettlercn.com

5F,No.6 , Xinjin Road , Xinyang Industrial Zone, Haicang District, Xiamen, China.Tel:(0592)2631523 Fax:
(0592)2631599

AZSR235/250

COIL

Power At pickup Voltage (typical)	270 mw (typical,AZSR250)
Max. Continuous Dissipation	2.0 W at 20°C(68°F) ambient
Temperature Rise	15°C(27°F) at nominal coil voltage
Temperature	Max. 155°C (311°F) class F

RELAY ORDERING DATA

COIL SPECIFICATIONS-SPST(1 FORM A) @20°C					ORDER NUMBER	
Nominal Coil VDC	Must Operate VDC	Min. holding VDC	Max. Continuous VDC	Coil Resistance $\Omega \pm 10\%$	AZSR235-1A(35A)	AZSR250-1A(50A)
5	3.75	1.7	10.0	50	AZSR235-1AE-5D	AZSR250-1AE-5D
9	6.75	3.1	18.0	170	AZSR235-1AE-9D	AZSR250-1AE-9D
12	9.00	4.0	24.0	300	AZSR235-1AE-12D	AZSR250-1AE-12D
18	13.50	6.5	36.0	675	AZSR235-1AE-18D	AZSR250-1AE-18D
24	18.00	8.0	48.0	1200	AZSR235-1AE-24D	AZSR250-1AE-24D

COIL SPECIFICATIONS-SPST(2 FORM A) @20°C					ORDER NUMBER	
Nominal Coil VDC	Must Operate VDC	Min. holding VDC	Max. Continuous VDC	Coil Resistance $\Omega \pm 10\%$	AZSR235-2A(35A)	AZSR250-2A(50A)
5	3.75	2.1	10.0	50	AZSR235-2AE-5D	AZSR250-2AE-5D
9	6.75	3.8	18.0	170	AZSR235-2AE-9D	AZSR250-2AE-9D
12	9.00	5.0	24.0	300	AZSR235-2AE-12D	AZSR250-2AE-12D
18	13.50	7.5	36.0	675	AZSR235-2AE-18D	AZSR250-2AE-18D
24	18.00	10.0	48.0	1200	AZSR235-2AE-24D	AZSR250-2AE-24D

NOMENCLATURE

AZSR250 - 1A E -12D (XXX)
I II III IV V

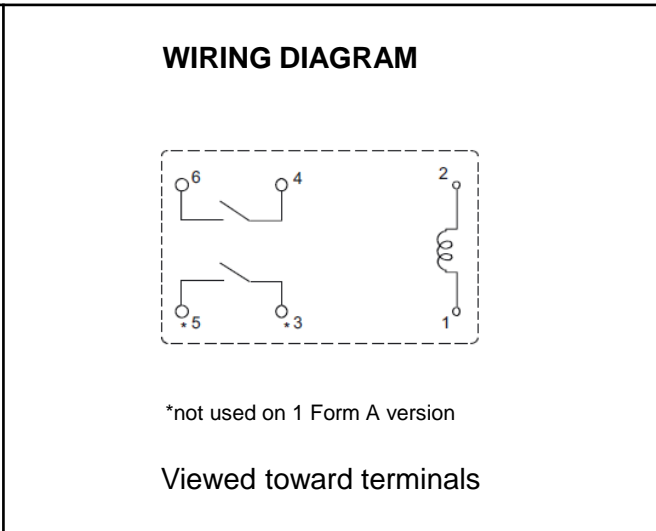
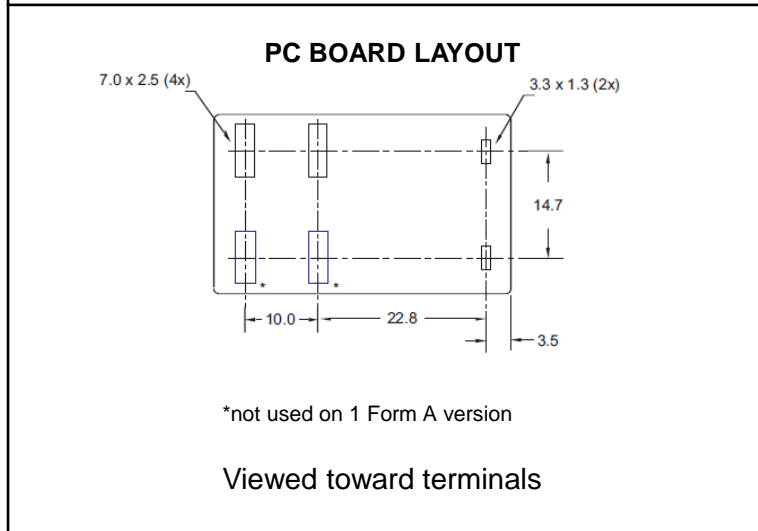
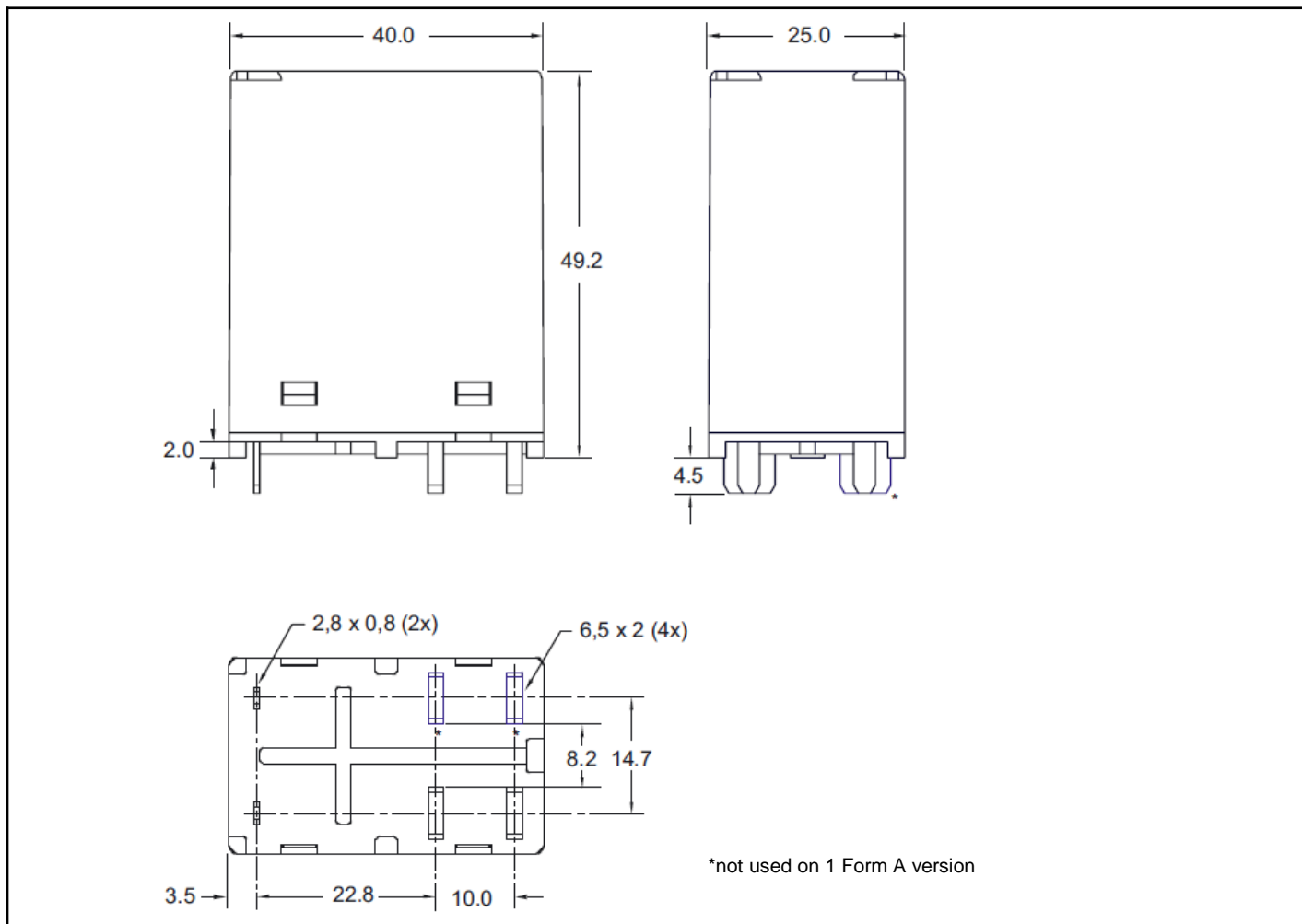
- I. Basic Series AZSR235 or AZSR250
- II. Contact Form 1A: 1 form A 2A: 2 form A
- III. Contact Material E: AgSnO₂
- IV. Coil Voltage 5, 9, 12, 18, 24VDC.
- V. Special code Additional numbers or letters, which does not designate construction features or ratings

ZETTLER RELAY (XIAMEN) CO., LTD. www.zettlercn.com

5F,No.6 , Xinjin Road , Xinyang Industrial Zone, Haicang District, Xiamen, China.Tel:(0592)2631523 Fax:
(0592)2631599

AZSR235/250

MECHANICAL DATA



Tolerance: $\pm 0.25\text{mm}$

Disclaimer: The specification is for reference only. We could not evaluate all the performance and all the parameters for every possible application. Thus the user should evaluate and select the suitable product for their own application. If there is any query, please contact ZETTLER. However, it is the user's responsibility to determine which product should be used only.

免责声明：此规格书仅用于参考。我们不能评估所有可能的应用条件下的性能和参数，所以用户需根据自己的应用评估和选择合适的产品。如有疑问，可以咨询赛特勒；但仍然是用户的责任来选择和使用产品。

ZETTLER RELAY (XIAMEN) CO., LTD. www.zettlercn.com

5F, No.6, Xinjin Road, Xinyang Industrial Zone, Haicang District, Xiamen, China. Tel: (0592)2631523 Fax: (0592)2631599