

# AZSR131

## 35 AMP MINIATURE POWER RELAY

### FEATURES

- 35 Amp switching capability
- Contact gap: 1.8 mm / 2.3 mm
- Dielectric strength 4500V<sub>RMS</sub>, 10kV Surge
- UL class F insulation
- GWT(IEC60335-1) version available
- UL / CUR E365652
- TÜV B0887930015
- CQC 17002168255



### CONTACTS

<b>Arrangement</b>	SPST-N.O. (1 Form A)
<b>Ratings (max.)</b> switched power switched current continuous current switched voltage	(resistive load) 9695 VA 35 A 35 A 277 VAC
<b>Rated Loads</b> <b>UL/CUR/TÜV/CQC</b>	26A at 277 VAC, resistive, 85°C, 50k cycles 35A at 277 VAC, resistive, 85°C, 30k cycles 22A at 277 VAC, resistive, 70°C, 100k cycles 33A at 277 VAC, cosphi 0.8, 85°C, 50k cycles 35A at 277 VAC, cosphi 0.8, 85°C, 30k cycles
<b>Contact material</b>	AgSnO <sub>2</sub> (silver tin oxide)
<b>Contact gap</b> standard version option (200) version	1.8 mm 2.3 mm
<b>Contact resistance</b> initial typical	(load contact) ≤ 100 mΩ < 3 mΩ

### COIL

<b>Nominal coil DC voltages</b>	5, 9, 12, 18, 24, 48
<b>Dropout voltage</b>	> 5% of nominal coil voltage
<b>Holding voltage</b>	> 35% of nominal coil voltage
<b>Coil power</b> nominal holding power at pickup voltage	(at 23 °C) 1.4 W 172 mW 790 mW
<b>Temperature Rise</b>	70 K at nom. coil voltage, 35A, 85°C
<b>Max. temperature</b>	Class F insulation - 155°C (311°F)

### GENERAL DATA

<b>Life Expectancy</b> Mechanical  electrical	(minimum operations) 1 x 10 <sup>5</sup> (2.3mm gap) 3 x 10 <sup>5</sup> (1.8mm gap) see UL/CUR/TÜV/CQC ratings
<b>Operate Time</b>	20 ms (max.) at nominal coil voltage
<b>Release Time</b>	10 ms (max.) at nominal coil voltage, without coil suppression
<b>Dielectric Strength</b> coil to load contacts open load contacts	(at sea level for 1 min.) 4500 V <sub>RMS</sub> 2500 V <sub>RMS</sub> 3500 V <sub>RMS</sub> (200 version)
<b>Surge Voltage</b>	10kV @1.2/50μs (coil to contacts)
<b>Insulation Resistance</b>	1000 MΩ (min.) at 23°C, 500 VDC, 50% RH
<b>Temperature Range</b> Operating storage	(at nominal coil voltage) -40°C (-40°F) to 85°C (185°F) -40°C (-40°F) to 105°C (221°F)
<b>Vibration resistance</b>	0.062" (1.5 mm) DA at 10–55 Hz
<b>Shock</b>	20 g
<b>Enclosure</b> protection category material group flammability	P.B.T. polyester RT II, flux proof IIla UL94 V-0
<b>Terminals</b>	Tinned copper alloy, P. C.
<b>Soldering</b> max. temperature max. time	270 °C 5 s
<b>Dimensions</b> length width height	30.4 mm (1.20") 15.9 mm (0.63") 25.15 mm (1.00")
<b>Weight</b>	25 grams (approx.)
<b>Compliance</b>	UL 508, IEC 61810-1, RoHS, REACH
<b>Packing unit in pcs</b>	50 per plastic tray / 500 per carton box

**ZETTLER**

# AZSR131

## COIL VOLTAGE SPECIFICATIONS

Nominal Coil VDC	Must Operate VDC	Min. Holding VDC	Max. Cont. VDC	Resistance Ohm $\pm$ 10%
5	3.75	1.75	6.0	18
9	6.75	3.2	10.8	58
12	9.0	4.2	14.4	103
18	13.5	6.3	21.6	230
24	18.0	8.4	28.8	410
48	36.0	16.8	57.6	1650

Note: All values at 23°C (73°F), upright position, terminals downward.

## ORDERING DATA

AZSR131-1AE- **DGW**

### Options

nil: standard version  
(200): 2.3 mm contact gap version

### Glow wire degree

blank: without glow wire  
GW: with glow wire

### Nominal coil voltage

see coil voltage specifications table

### Example ordering data

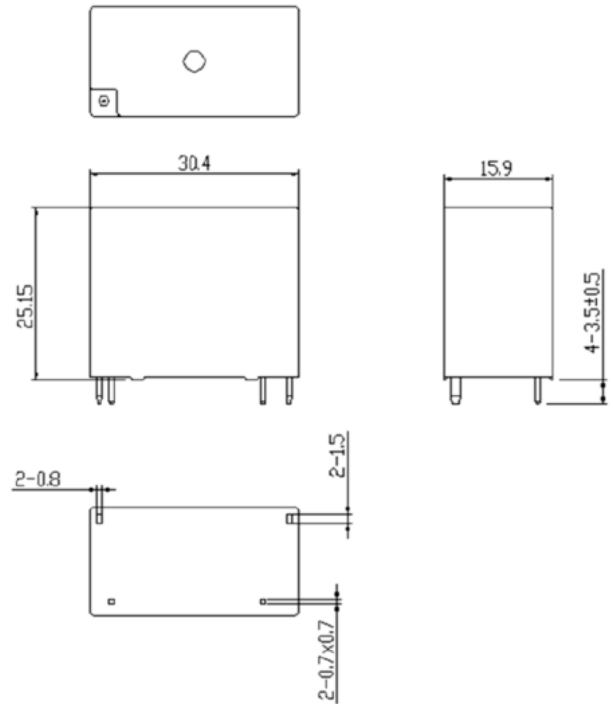
AZSR131-1AE-12D 12 VDC nominal coil voltage, 1.8 mm contact gap,

AZSR131-1AE-12DGW 12 VDC nominal coil voltage, 1.8 mm contact gap,

AZSR131-1AE-12D(200) 12 VDC nominal coil voltage, 2.3 mm contact gap,

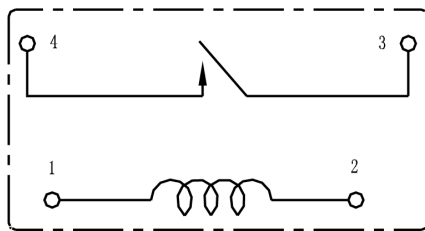
## MECHANICAL DATA

Dimensions in mm. Tolerance:  $\pm$ 0.3mm



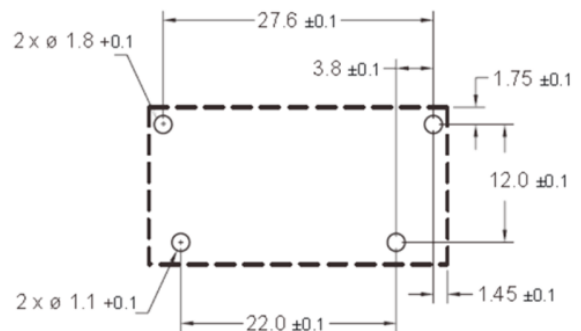
## WIRING DIAGRAMS

Viewed towards terminals



## PC BOARD LAYOUT

Viewed towards terminals. Dimensions in mm.



## NOTES

### General

1. All values in this datasheet are at reference temperature of 23°C (73°F) unless stated otherwise.
2. Evaluate the component's performance and operating conditions under the worst-case conditions of the actual application.
3. The datasheet and the component's specifications are subject to change without notice.

### Storage, handling, and environmental guidelines

4. Relays are electromechanical components that are sensitive to shock. The relay's adjustment can be affected if the relay is subjected to excessive shock or excessive pressure is applied to the relay case. Relays which have been dropped must no longer be used.
5. Substances containing silicone or phosphorus must be avoided in the vicinity to the relay. Outgassing from these substances can penetrate the relay and adhere on the contacts. Deposits of these substances may act as insulators and adversely affect the contact resistance. Silicone can be found e.g. in gaskets, lubricants or filling materials, phosphorus can be found e.g. as a flame retardant in plastics.
6. Prevent relays from atmospheres containing corrosive gases or liquid or solid. Corrosion of structures and contacts leads to malfunction and shortens the component's service life.
7. Prevent non-sealed relays from atmospheres subject to dust. Dust particles may enter the case and get stuck between the contacts, causing the contact circuits to fail.
8. Do not use these relays in environments with explosive or flammable gases. Electrical arcing at the contacts could ignite these gases and cause fire.
9. For automated dual wave soldering process we recommend preheating with 120°C (248°F) for max. 120 seconds and a soldering temperature of 260 ±5°C (500 ±9°F) for max. 10 seconds soldering time (max. 5 seconds per wave). For manual soldering we recommend 350°C (662°F) max. temperature for max. 5 seconds. During the soldering process, no force may be exerted on the relay terminals.
10. Non-sealed relays (RTII) must not be washed, immersion cleaned or conformal coated as substances may enter the case and cause corrosion or seizure of mechanical parts.
11. Avoid high frequency or ultrasonic vibrations on the relays as these can cause contact welding and misalignment or destruction of internal structures.
12. During operation, storage and transport, ambient temperature should be within the specified operating temperature range. Humidity should be in the range of 5% to 85% RH. Icing and condensation must be avoided. Relays stored for an extended period of time may show initially increased contact resistance values due to chemical effects such as oxidation.

### Design guidelines

13. The relay may pull in and operate with less than the specified *must operate* voltage value.
14. The coil's *must operate* and *min. holding* voltages, the coil's *ohmic resistance* and the relay's *operate time* depend on the temperature of the coil. The specified values are given for a coil temperature of 23°C and increase by approx. 0.39% per Kelvin of temperature rise. This circumstance must be considered, especially during operation with high load currents and elevated ambient temperature.
15. At elevated ambient temperatures, after applying the rated nominal coil voltage for ≥ 200 milliseconds, the coil energization must be reduced to a suitable holding level in order to reduce thermal stress and to prevent the coil from overheating.
16. Coil suppression circuits such as diodes, etc. in parallel to the coil will lengthen the release time. We recommend using suppression circuits with a breakdown voltage of approx. 2 times the nominal coil voltage in order to achieve a quick release time.
17. When using PWM coil control, use a fast-switching recirculation diode in parallel with the coil to keep the coil current during pulse pauses. To achieve a quick release time when de-energizing the coil, the recirculation diode must be eliminated from the circuit to get a fast decay of coil current. As PWM frequency we recommend ≥ 15 kHz in order to avoid audible noise from magnetostriction. To reduce negative EMI effects, we recommend to apply the PWM to the coil's inner/center layer terminal and have the outer layer terminal connected to ground or the supply rail.
18. Contact resistance is a function of load current, dwell time and wear level of the contacts. Immediately after closing the contacts, or if tested with low current only, the contact resistance will show a relatively high value. A low level steady state contact resistance is reached at higher current after a certain time in thermal equilibrium.
19. The relay dissipates heat form power losses through its load terminals. Provide sufficient cross section and area of the PCB traces so that they can act as heat spreader.
20. For PCBs with multiple relays, do not place the components directly next to each other. We suggest providing a mounting distance of minimum 10 mm to allow for better cooling.
21. A minimum load of 10 mA / 5 V / 50 mW is recommended for the gold plated NC signal contact to ensure a reliable and stable electrical connection.
22. As with any contact mechanism, the relay's NC signal contact bounces when switching. For evaluation of its signal, suitable debouncing measures must be taken to get a reliable signal.

# AZSR131

## DISCLAIMER

This product specification is to be used in conjunction with the application notes which can be downloaded from the regional ZETTLER relay websites. The specification provides an overview of the most significant part features. Any individual applications and operating conditions are not taken into consideration. It is recommended to test the product under application conditions. Responsibility for the application remains with the customer. Proper operation and service life cannot be guaranteed if the part is operated outside the specified limits.

## ZETTLER GROUP

Building on a foundation of more than a century of expertise in German precision engineering, ZETTLER Group is a world-class enterprise, engaged in the design, manufacturing, sales and distribution of electronic components. Our industry leadership is based on a unique combination of engineering competence and global scale.

For more information on other ZETTLER Group companies, please visit [zettler-group.com](https://www.zettler-group.com). For support on this product or other ZETTLER relays, please visit one of the group sites below.

## SITES FOR ZETTLER RELAYS

### NORTH AMERICA

American Zettler, Inc.  
[www.azettler.com](https://www.azettler.com)  
[sales@azettler.com](mailto:sales@azettler.com)

### EUROPE

Zettler Electronics, GmbH  
[www.zettlerelectronics.com](https://www.zettlerelectronics.com)  
[office@zettlerelectronics.com](mailto:office@zettlerelectronics.com)

Zettler Electronics, Poland  
[www.zettlerelectronics.pl](https://www.zettlerelectronics.pl)  
[office@zettlerelectronics.pl](mailto:office@zettlerelectronics.pl)

### CHINA

Zettler Group, China  
[www.zettlercn.com](https://www.zettlercn.com)  
[relay@zettlercn.com](mailto:relay@zettlercn.com)

### ASIA PACIFIC

Zettler Electronics (HK) Ltd.  
[www.zettlerhk.com](https://www.zettlerhk.com)  
[sales@zettlerhk.com](mailto:sales@zettlerhk.com)



**ZETTLER**