

# AZEV200

## 40 AMP 2 POLES POWER RELAY WITH MONITORING

### FEATURES

- Designed for IEC 61851 Mode 2 and Mode 3 charging applications
- Dual NO load contacts plus NC mirror contact acc. EN 60947-4-1 for welding monitoring
- 40 Amp / 480 VAC switching capability
- Electrical ratings according IEC 61851-1: CC2 / 50.000 cycles
- Withstands inrush currents according ISO 17409 cl. 8.2.2 and IEC 62752
- Meets IEC 62955, IEC 62752 and IEC 62052-11 short circuit requirements
- Load contact gap  $\geq 3.42$  mm
- Dielectric strength 5 kV<sub>RMS</sub>, surge withstand voltage 10 kV
- TÜV, UL / CUR and CQC approvals



### CONTACTS

<b>Arrangement</b> load contacts monitor contact	2PST-NO (2 Form A) SPST-NC (1 Form B) coupled to NO load contacts
<b>Ratings (max.)</b> load contacts switched power switched current continuous current switched voltage contact load category  monitor contact switched current minimum load	(resistive load)  19200 VA 40 A 40 A 480 VAC CC2  500 mA at 12 VDC 10 mA, 5 VDC, 50 mW (gold plated contact)
<b>Approved ratings</b> load contacts     monitor contact	(TÜV, UL/CUR, CQC) 40 A at 480 VAC, resistive, 85°C, 6k cycles 35 A at 400 VAC, resistive, 85°C, 50k cycles 32 A at 400 VAC, resistive, 95°C, 50k cycles 10 A make, 40 A carry, 10 A break at 480 VAC, 85°C, resistive, 50k cycles  500 mA at 12 VDC, 85°C, 50k cycles Note: Approvals with open vent hole only.
<b>Contact material</b> load contacts monitor contact	AgSnO <sub>2</sub> (silver tin oxide) AgNi+Au (silver nickel, gold plated)
<b>Contact gap</b> load contacts monitor contact	(clearance of open contacts) $\geq 3.42$ mm $\geq 0.7$ mm ( $\geq 0.5$ mm if load contacts are welded)
<b>Contact resistance</b> load contacts monitor contact	$\leq 10$ m $\Omega$ initial max. (at 20 A) $\leq 100$ m $\Omega$

### COIL

<b>Nominal coil voltages</b>	6, 9, 12, 24, 48 (DC)
<b>Dropout voltage</b>	> 5% of nominal coil voltage
<b>Holding voltage</b>	35 - 80% of nominal coil voltage (at 23°C) 40 - 63% of nominal coil voltage (at 95°C)
<b>Power</b> nominal holding power	(at 23°C) 2.6 W 420 mW
<b>Release energy</b>	< 7 mJ
<b>Thermal resistance</b>	35 K/W (typ. at 40 - 80% nom. coil voltage)
<b>Temperature rise</b>	70 K @ max. at holding voltage, 85°C
<b>Insulation system</b>	class F, max. temperature 155°C (311°F)

### GENERAL DATA

<b>Life Expectancy</b> mechanical electrical	(minimum operations) 1 x 10 <sup>5</sup> see rated loads
<b>Operate Time</b>	$\leq 30$ ms (at nominal coil voltage)
<b>Release Time</b>	$\leq 10$ ms (nom. coil voltage, w/o suppression)
<b>Dielectric Strength</b> open load contacts between load contact sets coil to load contacts load to monitor contact open monitor contacts coil to monitor contacts	(at sea level for 1 min.) 3 kV <sub>RMS</sub> 3 kV <sub>RMS</sub> 5 kV <sub>RMS</sub> 5 kV <sub>RMS</sub> 1 kV <sub>RMS</sub> 1 kV <sub>RMS</sub>
<b>Surge Voltage</b> open load contacts coil to load contacts load to monitor contacts	(1.2/50 $\mu$ s pulses) 6 kV 10 kV 8 kV
<b>Insulation Distances</b> load contact sets coil to load contacts load to monitor contacts coil to monitor contact	(clearance / creepage) $\geq 8.0$ mm / $\geq 8.0$ mm $\geq 8.0$ mm / $\geq 10.0$ mm $\geq 10.0$ mm / $\geq 10.0$ mm $\geq 3.0$ mm / $\geq 7.0$ mm
<b>Insulation Type</b> coil to contacts	Reinforced insulation, PD 2, OVC III
<b>Insulation Resistance</b>	$\geq 1000$ M $\Omega$ (23°C, 500 VDC, 50% rh)
<b>Short circuit capacity</b> IEC 62955 (test seq. E, F)	Test sequence E: [9.11.2.3 a)]: 250VAC, $I_p=1.85$ kA, $I^2t=4.5$ kA <sup>2</sup> s ( $I_{nc}\leq 32$ A, $I_{lc}=3$ kA) [9.11.2.2)]: 250VAC, $I_m=500$ A Test sequence F: [9.11.2.3 b)]: 250VAC, $I_m=500$ A [9.11.2.3 c)]: 250VAC, $I_p=1.85$ kA, $I^2t=4.5$ kA <sup>2</sup> s ( $I_{nc}\leq 32$ A, $I_{lc}=3$ kA)
<b>Temperature Range</b> operating	(at coil holding voltage) -40°C (-40°F) to 85°C (185°F); load current >32 A -40°C (-40°F) to 95°C (203°F); load current $\leq 32$ A
<b>Vibration resistance</b>	0.062" (1.5 mm) DA at 10–55 Hz
<b>Shock</b>	10 g
<b>Enclosure</b> protection category material group flammability	flux proof (RTII) / epoxy sealed IIIa UL94 V-0
<b>Terminals</b>	Tinned copper alloy, THT PCB mounting
<b>Soldering</b> preheating soldering	(referring IEC 61760-1 wave soldering) 120°C (248°F) / $\leq 120$ s 260 $\pm 5$ °C (500 $\pm 9$ °F) / $\leq 2 \times 5$ s
<b>Dimensions and Weight</b>	36.5 mm x 33.8 mm x 41.5 mm, 85 grams
<b>Compliance</b>	UL 508, IEC 61810-1, GB/T 21711.1-2008, RoHS, REACH
<b>Agency Approvals</b> TÜV UL/CUR CQC	B 088793 0020 E365652 CQC22002356459
<b>Packing (pcs.)</b>	10 per plastic tube, 150 per carton box

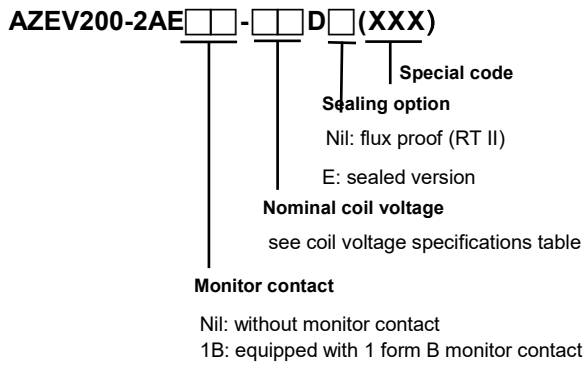
# AZEV200

## COIL VOLTAGE SPECIFICATIONS

Voltage [VDC]				Resistance [ $\Omega$ ] $\pm 10\%$	Inductance (ref.) [mH]		Current (ref.) [mA]		Power (ref.) [W]	
nominal	must operate	min. holding	max.		de-energized	excited	nominal	min. holding	nominal	min. holding
6	4.5	2.4	6.6	13.9	130	165	432	173	2.6	0.42
9	6.7	3.6	9.9	31.2	290	370	288	116		
<b>12</b>	9.0	4.8	13.2	55.4	520	660	216	87		
<b>24</b>	18.0	9.6	26.4	221.5	2050	2640	108	44		
48	36.0	19.2	52.8	886.2	8200	10560	54	22		

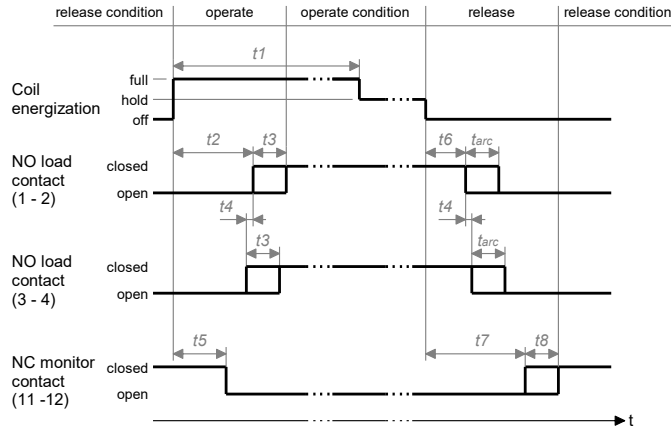
- Notes: 1. All values at 23°C, upright position, terminals downward.  
 2. Voltage max. is the voltage the coil can endure for a short period of time.  
 3. Values for coil inductance, coil current and coil power for reference only.  
 4. To avoid overheating at elevated ambient temperatures, operate the coil at 40 - 63% of nominal coil voltage after applying the full nominal coil voltage for  $\geq 200$  milliseconds.  
 5. Preferred coil voltages in bold face numbers.

## ORDERING DATA



Note: For Ag plating contact (main load) , add P after date code.

## TIMING DIAGRAM

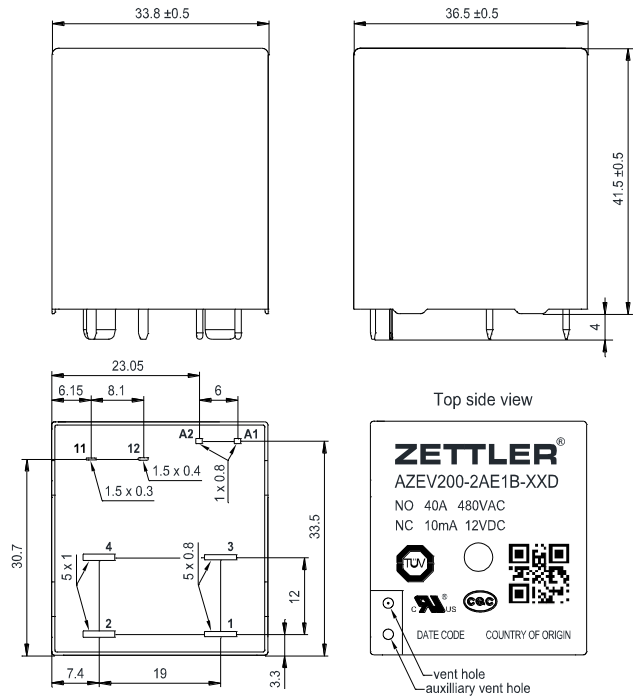


Item	Description	Notes	Timing [ms]		
			min.	typ.	max.
t1	Full energization time	recommended value for reference	200	-	-
t2	NO operate time	at nominal coil voltage (at 23°C)	-	18	30
t3	NO bounce time	at nominal coil voltage	-	3.5	-
t4	NO sync time	at nominal coil voltage	-	$\pm 0.1$	-
t5	NC operate time	at nominal coil voltage (at 23°C)	-	10	-
t6	NO release time	without coil suppression with suppression: $U_{BR}/U_{nom} = 2$	-	3.5	-
t7	NC release time	with suppression: $U_{BR}/U_{nom} = 2$	-	5.7	-
t8	NC bounce time		-	10.5	-
t <sub>arc</sub>	arcing duration	if released under load, dependent on actual load			

- Notes: 1.  $U_{nom}$  is the specified nominal coil voltage.  
 2.  $U_{BR}$  is the coil suppression circuit breakdown voltage.

## MECHANICAL DATA

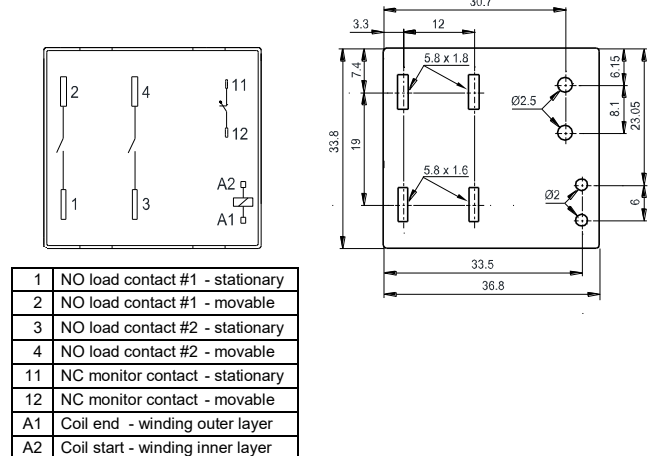
- Dimensions in mm. Tolerance  $\pm 0.3$ mm if not stated otherwise .  
 Notes: 1. Pin dimensions for reference only and given without tin coating.  
 2. Pins 11 and 12 are omitted in versions without 1 Form B monitor contact.  
 3. With sealed versions the vent hole is sealed by epoxy and the auxiliary vent hole must be cut open to achieve the specified performance and service life.



CAD data in attachment of the datasheet.

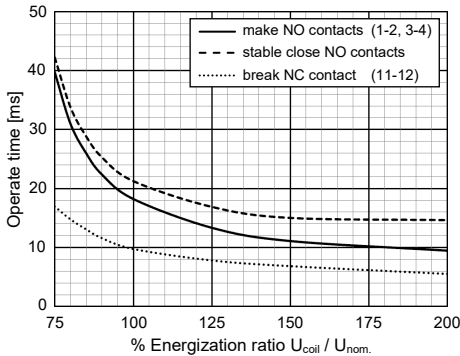
## PCB FOOTPRINT / WIRING DIAGRAM

Layout and footprint recommendation. Dimensions in mm. Viewed towards terminals.  
 Note: Pins 11 and 12 are omitted in versions without 1 Form B monitor contact.

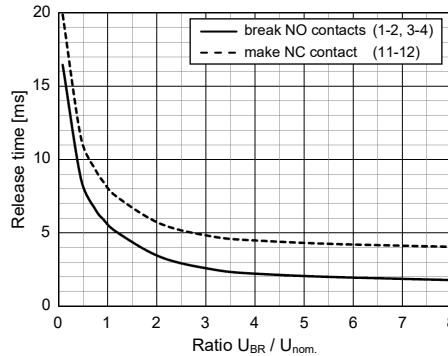


## CHARACTERISTICS

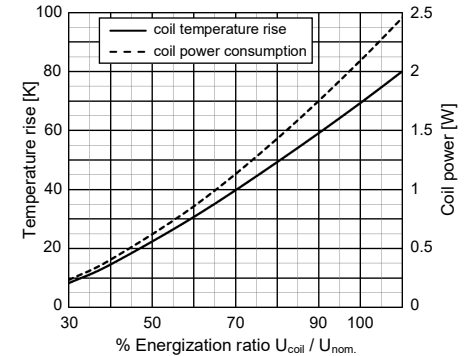
Operate timing vs. coil energization @23°C (typ.)



Release time vs. suppressor breakdown voltage (typ.)



Coil temperature rise vs. energization @23°C (typ.)



## NOTES

### General

- All values in this datasheet are at reference temperature of 23°C (73°F) unless stated otherwise.
- Evaluate the component's performance and operating conditions under the worst-case conditions of the actual application.
- The datasheet and the component's specifications are subject to change without notice.

### Storage, handling, and environmental guidelines

- Relays are electromechanical components that are sensitive to shock. The relay's adjustment can be affected if the relay is subjected to excessive shock or excessive pressure is applied to the relay case. Relays which have been dropped must no longer be used.
- Substances containing silicone or phosphorus must be avoided in the vicinity of the relay. Outgassing from these substances can penetrate the relay and adhere on the contacts. Deposits of these substances may act as insulators and adversely affect the contact resistance. Silicone can be found e.g. in gaskets, lubricants or filling materials, phosphorus can be found e.g. as a flame retardant in plastics.
- Prevent relays from atmospheres containing corrosive gases. Corrosion of internal structures and contacts leads to malfunction and shortens the component's service life.
- Prevent non-sealed relays and relays with opened vent hole from atmospheres subject to dust. Dust particles may enter the case and get stuck between the contacts, causing the contact circuits to fail.
- Do not use these relays in environments with explosive or flammable gases. Electrical arcing at the contacts could ignite these gases and cause fire.
- For automated dual wave soldering process we recommend preheating with 120°C (248°F) for max. 120 seconds and a soldering temperature of 260 ±5°C (500 ±9°F) for max. 10 seconds soldering time (max. 5 seconds per wave). For manual soldering we recommend 350°C (662°F) max. temperature for max. 5 seconds. During the soldering process, no force may be exerted on the relay terminals.
- Non-sealed relays must not be washed, immersion cleaned or conformal coated as substances may enter the case and cause corrosion or seizure of mechanical parts.
- With sealed versions of this relay type, the auxiliary vent hole must be cut open after washing or conformal coating to achieve the specified performance and service life. Care must be taken to ensure no particles get into the relay as a result of the cutting process.
- Avoid high frequency or ultrasonic vibrations on the relays as these can cause contact welding and misalignment or destruction of internal structures.
- During operation, storage and transport, ambient temperature should be within the specified operating temperature range. Humidity should be in the range of 5% to 85% RH. Icing and condensation must be avoided. Relays stored for an extended period of time may show initially increased contact resistance values due to chemical effects such as oxidation.

### Design guidelines

- The relay may pull in and operate with less than the specified *must operate* voltage value.
- The coil's *must operate* and *min. holding* voltages, the coil's *ohmic resistance* and the relay's *operate time* depend on the temperature of the coil. The specified values are given for a coil temperature of 23°C and increase by approx. 0.39% per Kelvin of temperature rise. This circumstance must be considered, especially during operation with high load currents and elevated ambient temperature.
- At elevated ambient temperatures, after applying the rated nominal coil voltage for ≥ 200 milliseconds, the coil energization must be reduced to a holding level in order to reduce thermal stress and prevent the coil from overheating.
- Coil suppression circuits such as diodes, etc. in parallel to the coil will lengthen the release time. We recommend using suppression circuits with a breakdown voltage of approx. 2 times the nominal coil voltage in order to achieve a quick release time.
- For short-circuit performance according IEC 62955 or IEC 62752, coil suppression circuits with a breakdown voltage of ≥ 1.5 times the nominal coil voltage must be used. Using rectifier diodes or similar in parallel to the coil is not appropriate.
- When using PWM coil control, use a fast-switching recirculation diode in parallel with the coil to keep the coil current during pulse pauses. To achieve the IEC 62955 or IEC 62752 required short-circuit performance, when de-energizing the coil, the diode must be eliminated from the circuit to get a fast decay of coil current and a short release time. As PWM frequency we recommend ≥ 15 kHz in order to avoid audible noise from magnetostriction. To reduce EMI effects, we recommend to apply the PWM to the coil's inner layer terminal (A2) and have the outer layer terminal (A1) connected to ground or the supply rail.
- Contact resistance is a function of load current, dwell time and wear level of the contacts. Immediately after closing the contacts, or if tested with low current only, the contact resistance will show a relatively high value. A low level steady state contact resistance is reached at higher current after a certain time in thermal equilibrium.
- The relay dissipates heat from power losses through its load terminals. Provide sufficient cross section and area of the PCB traces so that they can act as heat spreader.
- For PCBs with multiple relays, do not place the components directly next to each other. We suggest providing a mounting distance of minimum 10 mm to allow for better cooling.
- A minimum load of 10 mA / 5 V / 50 mW is recommended for the gold plated monitor contact to ensure a reliable and stable electrical connection.
- The relay's NC mirror contact bounces when switching. For evaluation of its signal, suitable debouncing measures must be taken to get a reliable signal.

# AZEV200

## DISCLAIMER

This product specification is to be used in conjunction with the application notes which can be downloaded from the regional ZETTLER relay websites. The specification provides an overview of the most significant part features. Any individual applications and operating conditions are not taken into consideration. It is recommended to test the product under application conditions. Responsibility for the application remains with the customer. Proper operation and service life cannot be guaranteed if the part is operated outside the specified limits.

## ZETTLER GROUP

Building on a foundation of more than a century of expertise in German precision engineering, ZETTLER Group is a world-class enterprise, engaged in the design, manufacturing, sales and distribution of electronic components. Our industry leadership is based on a unique combination of engineering competence and global scale.

For more information on other ZETTLER Group companies, please visit [zettler-group.com](http://zettler-group.com). For support on this product or other ZETTLER relays, please visit one of the group sites below.

## SITES FOR ZETTLER RELAYS

### NORTH AMERICA

American Zettler, Inc.  
[www.azettler.com](http://www.azettler.com)  
[sales@azettler.com](mailto:sales@azettler.com)

### EUROPE

Zettler Electronics, GmbH  
[www.zettlerelectronics.com](http://www.zettlerelectronics.com)  
[office@zettlerelectronics.com](mailto:office@zettlerelectronics.com)

Zettler Electronics, Poland  
[www.zettlerelectronics.pl](http://www.zettlerelectronics.pl)  
[office@zettlerelectronics.pl](mailto:office@zettlerelectronics.pl)

### CHINA

Zettler Group, China  
[www.zettlercn.com](http://www.zettlercn.com)  
[relay@zettlercn.com](mailto:relay@zettlercn.com)

### ASIA PACIFIC

Zettler Electronics (HK) Ltd.  
[www.zettlerhk.com](http://www.zettlerhk.com)  
[sales@zettlerhk.com](mailto:sales@zettlerhk.com)

