

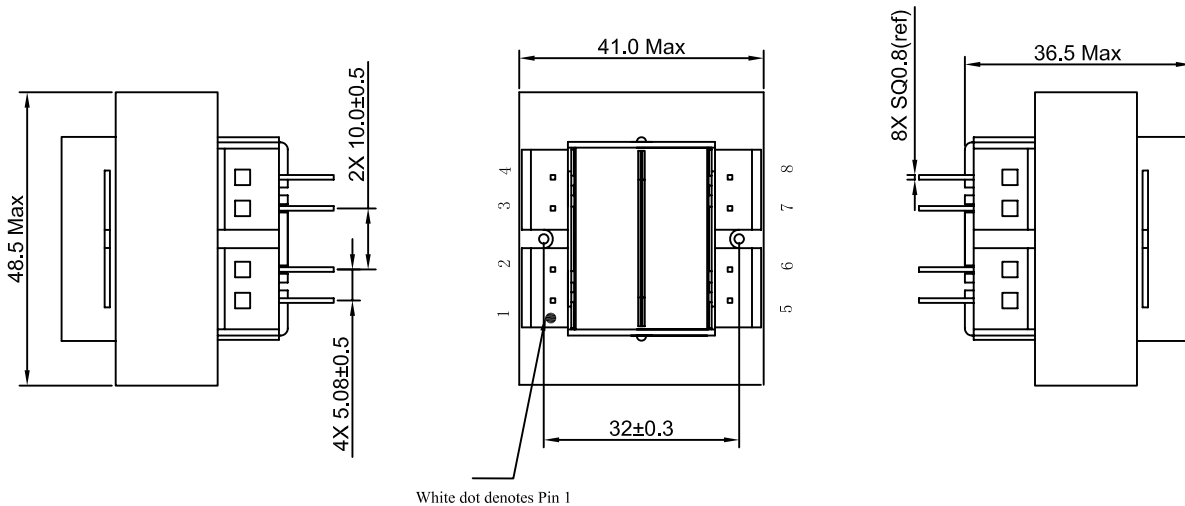
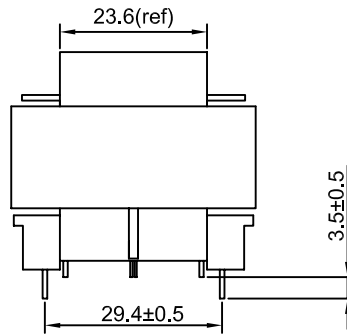
TRANSFORMER, POWER, PCB 1.0VA
DUAL PRIMARIES AND DUAL SECONDARIES

PAGE REV	DESCRIPTION	DATE	BY
A0	CREATED	2002-08-23	ZHENG
B0	Updated PCD	2012-09-14	ye
B1	Updated PCD	2014-01-21	ye
B2	Modify the pin length.	2014-07-31	ye
B3	Updated PCD	2020-06-30	Chend

1. ELECTRICAL SPECIFICATIONS:

- A. Input Voltage and Frequency: 115/230V @ 50/60 Hz
- B. Secondary Voltage: See Electrical Table
- C. Temperature Rise: 95°C MAX allowed.
- D. Insulation Resistance:
 - 100M Ohm Min @ 500VDC PRI to SEC.PRI to CORE
 - 100M Ohm Min @ 500VDC SEC to CORE
- E. Hi-Pot:
 - 4200Vrms 1 minute @ PRI to SEC
 - 4200Vrms 1 minute @ PRI to CORE
 - 4200Vrms 1 minute @ SEC to CORE
- F. Safety:
 - Insulation System Designation ZM130-7, Class B, UL File No.177235
 - UL5085-3, Class 2, 3, US and Canada, UL File No.E214561
 - CE Declaration of Conformity: IEC EN61558-1

2. MECHANICAL SPECIFICATIONS:



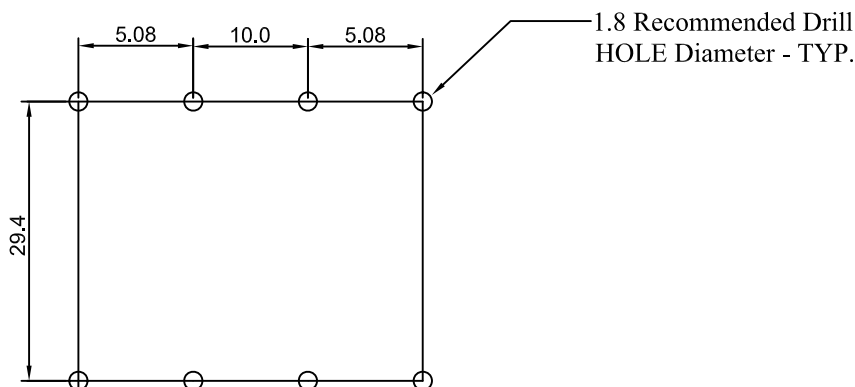
White dot denotes Pin 1

UNIT MM	TOLERANCE X.X = ±0.5 X.XX = ±0.3 ANG = -	ZETTLER MAGNETICS	
3RD ANGLE 			
SCALE:	DATA	TITLE: POWER TRANSFORMER, PCB 1.0VA	
DRAWN: Chend	2020-06-30	PART NO: AH1010 SERIES	ZM Project:
CHECKED:		Customers p/n:	SPEC REV: B/3
APPROVED:			SH NO 1/2

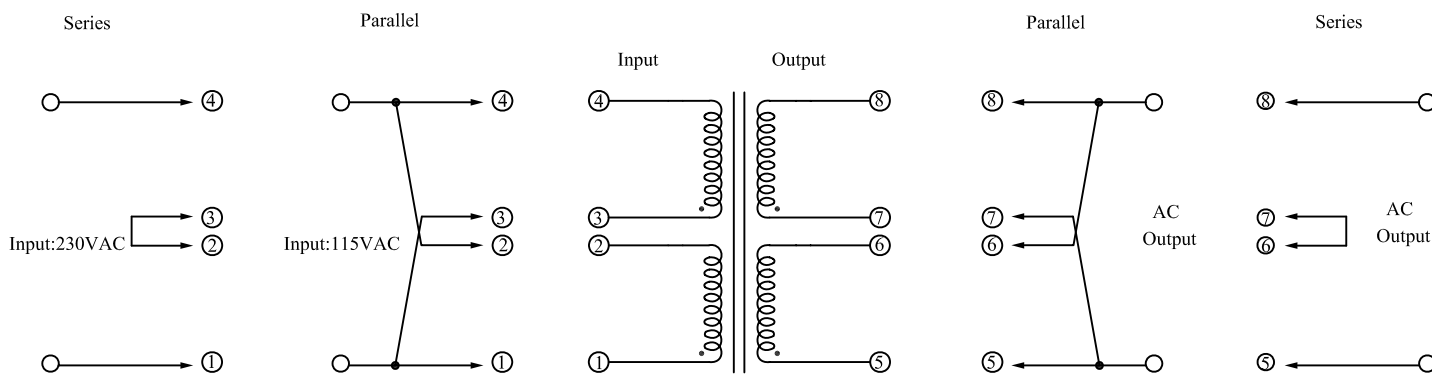
Web: www.zettlermagnetics.com
 E-mail: sales@zettlermagnetics.com

PAGE REV	DESCRIPTION	DATE	BY
A0	CREATED	2012-08-23	ZHENG
B0	Updated PCD	2012-09-14	ye
B1	Updated PCD	2014-01-21	ye
B2	Modify the pin length.	2014-07-31	ye
B3	Updated PCD	2020-06-30	Chend

3. MOUNTING FOOTPRINT:



4. SCHEMATIC DIAGRAM:



5. ELECTRICAL TABLE:

INPUT	SERIES / PARALLEL			
	PARALLEL CONNECTION		SERIES CONNECTION	
OUTPUT	AC VOLTS	RMS AMPS	AC VOLTS	RMS AMPS
AHI01010	5V	2A	10V	1A
AHI01012	6.3V	1.6A	12.6V	0.8A ▲
AHI01016	8V	1.2A	16V	0.6A
AHI01020	10V	1A	20V	0.5A
AHI01024	12V	0.84A	24V	0.42A
AHI01028	14V	0.72A	28V	0.36A
AHI01036	18V	0.56A	36V	0.28A ▲

UNIT MM	TOLERANCE X.X = ±0.5 X.XX = ±0.3 ANG = -
3RD ANGLE 	
SCALE:	DATA
DRAWN: Chend	2020-06-30
CHECKED:	
APPROVED:	

ZETTLER MAGNETICS

TITLE: POWER TRANSFORMER, PCB 1.0VA

PART NO:

AHI010 SERIES

ZM Project:

Customers p/n:

SPEC REV: B/3

SH NO 2/2

Web: www.zettlermagnetics.com

E-mail: sales@zettlermagnetics.com