

HIGH PRECISION CURRENT SENSOR TRANSFORMER

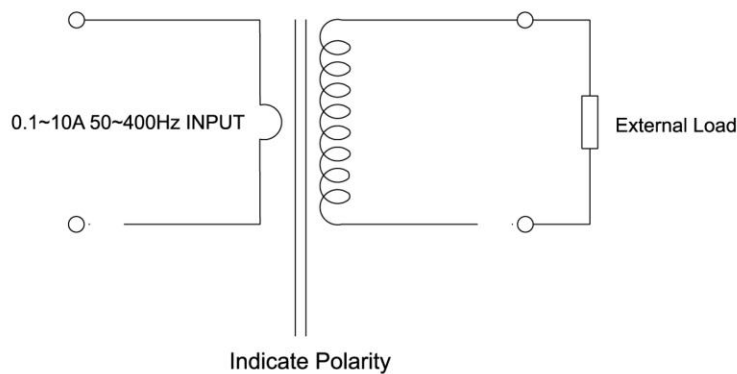
FEATURES

- Current Range:0.1~30Arms
- Frequency:50~400Hz
- Accuracy Class:0.5S
- Hi-Pot: 3000Vrms , 1min
- between primary and secondary
- Operating Temperature Range :0°C to + 60°C
- Storage temperature from -40°C to 120°C

产品特点

- 电流范围：0.1~10Arms
- 频率：50~400Hz
- 精度等级：0.5S
- 耐压：P-S3000Vrms , 1 min
- 操作温度范围：0°C to + 60°C
- 贮存温度范围：-40°C to 120°C

SCHEMATIC 原理图

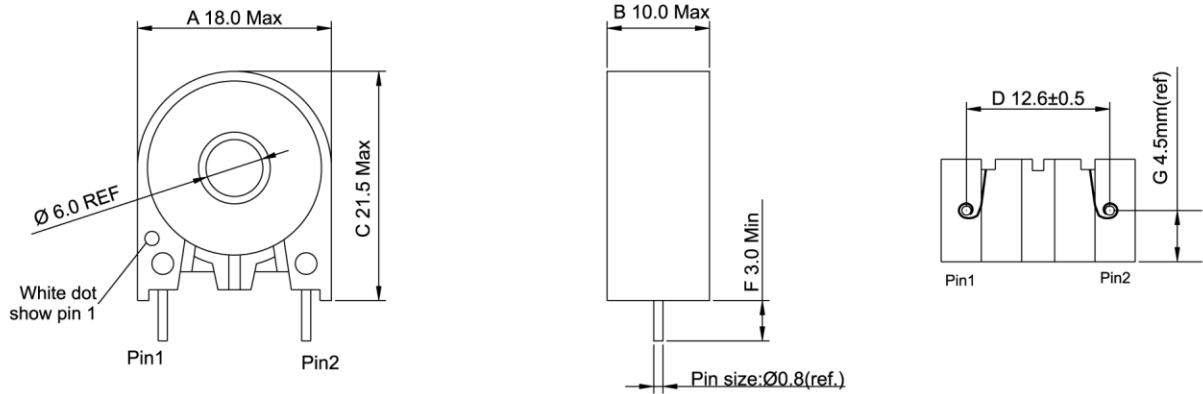


ELECTRICAL SPECIFICATION 电气规格

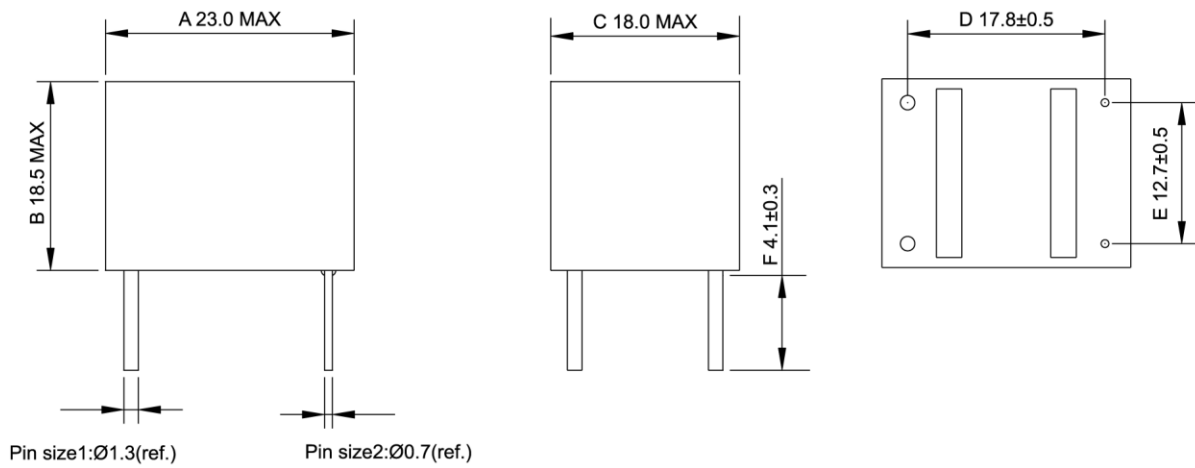
Order Number		Current Range	Turns Ratio	Rimax(Ohms)	Output(V/A)	Secondary Resistance (DC/Ohms)max
ZCT13050	ZCT13050-P	0.1~10 Arms	1:500	30	0.06	25
ZCT13100	ZCT13100-P	0.1~10 Arms	1:1000	100	0.1	100
ZCT13150	ZCT13150-P	0.1~10 Arms	1:1500	200	0.133	200
ZCT13200	ZCT13200-P	0.1~10 Arms	1:2000	250	0.125	400
ZCT26050		0.1~30 Arms	1:500	5	0.01	20
ZCT26100		0.1~30 Arms	1:1000	30	0.03	80
ZCT26150		0.1~30 Arms	1:1500	60	0.04	160
ZCT26200		0.1~30 Arms	1:2000	100	0.05	300

MECHANICAL SPECIFICATION 尺寸图

ZCT13



ZCT13-P



ZCT26

