

F

E

D

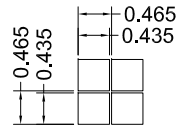
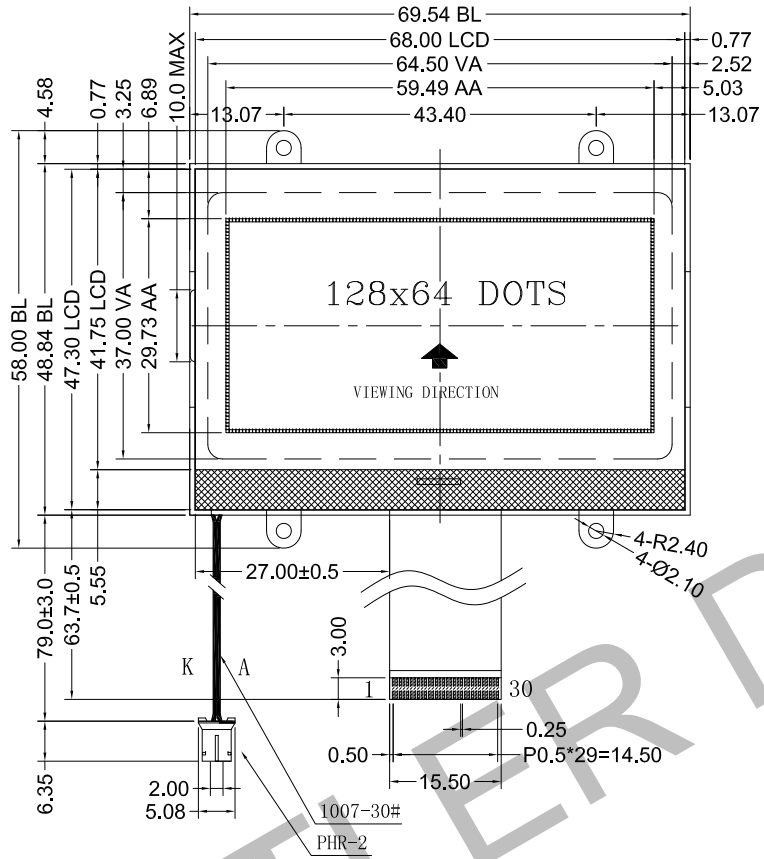
C

B

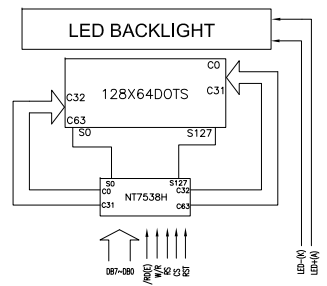
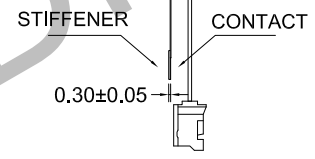
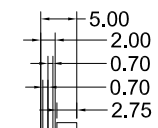
A

1 2 3 4 5 6 7 8

27	/RW
26	/RD (E)
25	D0
24	D1
23	D2
22	D3
21	D4
20	D5
19	D6
18	D7
17	VDD
16	VSS
15	VOUT
14	CAP3+
13	CAP1-
12	CAP1+
11	CAP2+
10	CAP2-
9	V1
8	V2
7	V3
6	V4
5	V0
4	VR
3	C86
2	PS
1	IRS
PIN NO.	SYMBOL



DOTS SIZE SCALE 10:1



ITEM	SELECTABLE CONTENTS
DISPLAY MODE	STN YELLOW MODE
	STN GRAY MODE
	STN BLUE MODE
	FSTN
POLARIZER TYPE	REFLECTIVE
	TRANSFLECTIVE
	TRANSMISSIVE, POSITIVE
VIEWING DIRECTION	TRANSMISSIVE, NEGATIVE
	6 O'CLOCK
LED BACKLIGHT	12 O'CLOCK
	WHITE
	Y-G
	RED
	GREEN
	BLUE
TEMPERATURE RANGE	AMBER
	--
CHARACTER PATTERNS	STANDARD TEMPERATURE
	WIDE TEMPERATURE
OPERATING VOLTAGE	3.0V
LCD DRIVING VOLTAGE	9.6V
LCD DRIVE METHOD	1/65 DUTY 1/9BIAS
LCD DRIVE IC	NT7538H COG

THE PART NUMBER IN MASS PRODUCTION

1.STN(BLUE), TRANSMISSIVE LCD; WHITE BACKLIGHT; 6 O'CLOCK

UNIT	TOLERANCE
MM	X.X = ±0.2
3RD ANGLE	X.XX = ±0.20
	ANG = -
SCALE:	1:1
DRAWN:	
CHECKED:	
APPROVED:	

ZETTLER DISPLAYS

XIAMEN ZETTLER ELECTRONICS CO., LTD.

TITLE:	LCM
MODEL NO:	AQM1264DX SERIES
REV	A
PART NO:	SH NO 1/1

1 2 3 4 5 6 7 8