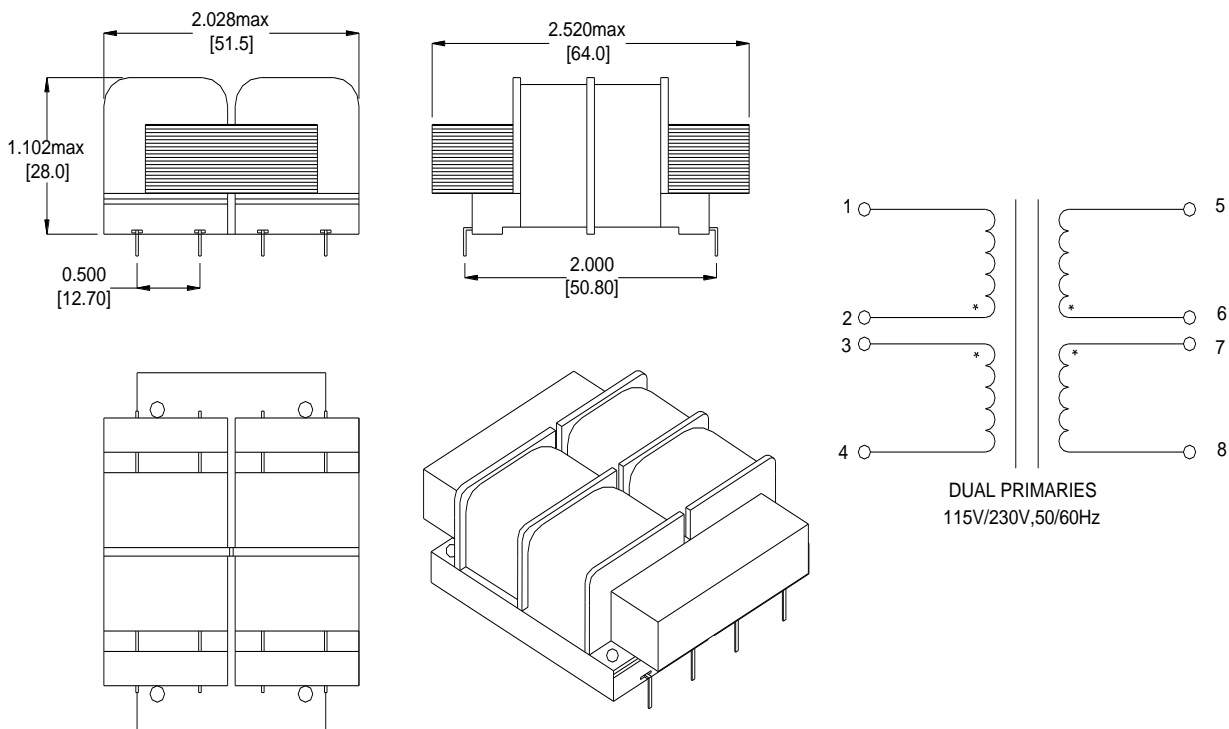


## 12VA UI38 TRANSFORMER AHF12 SERIERS

### FEATURES,

- UL 5085-1,-3 Approved:UL File No.E177998
- Dielectric Strength 2500Vrms
- Dual 115/230V Primaries
- Dual Secondaries
- Class B Insulation System
- 3 Standard Sizes for a Variety of Power Application

### OUTLINE DIMENSIONS



### ELECTRONIC SPECIFICATIONS

Part NO	Input Voltage (V)	Series		Parallel		Rated Power (VA)	Certificate	
		Voltage (Vac)	Current (mA)	Voltage (Vac)	Current (mA)		UL	CE
AHF12010	115V/230V	10	1200	5	2400	12VA	●	
AHF12012	115V/230V	12.6	900	6.3	1800	12VA	●	
AHF12016	115V/230V	16	700	8	1400	12VA	●	
AHF12020	115V/230V	20	600	10	1200	12VA	●	
AHF12024	115V/230V	24	500	12	1000	12VA	●	
AHF12030	115V/230V	30	400	15	800	12VA	●	
AHF12034	115V/230V	34	340	17	680	12VA	●	
AHF12040	115V/230V	40	300	20	600	12VA	●	
AHF12056	115V/230V	56	200	28	400	12VA	●	
AHF12088	115V/230V	88	130	44	260	12VA	●	
AHF12120	115V/230V	120	100	60	200	12VA	●	
AHF12230	115V/230V	230	50	115	100	12VA	●	