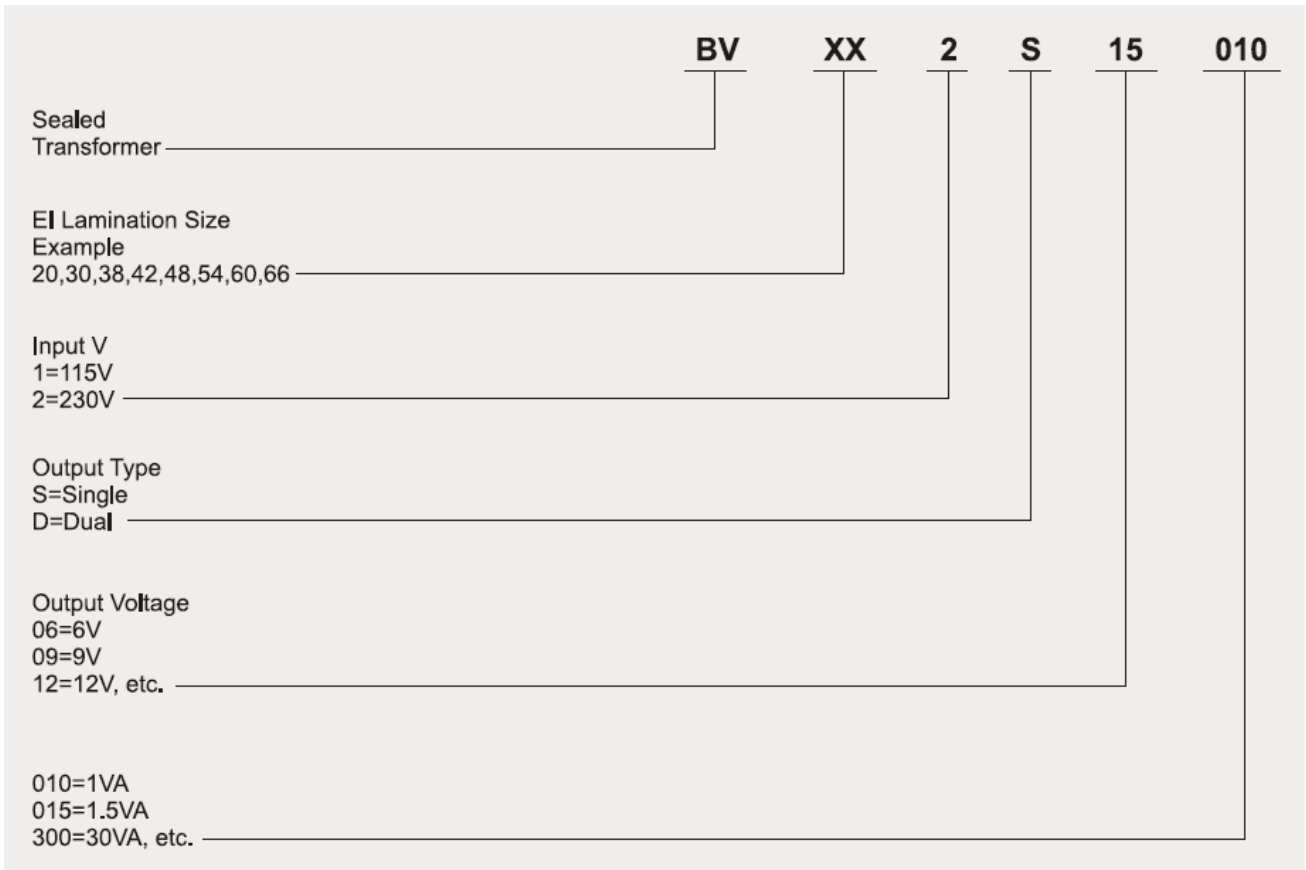


**5.0VA SEALED TRANSFORMER EI42X14.6 SERIES**



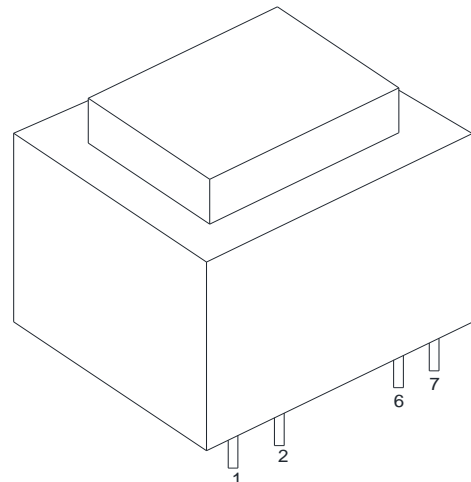
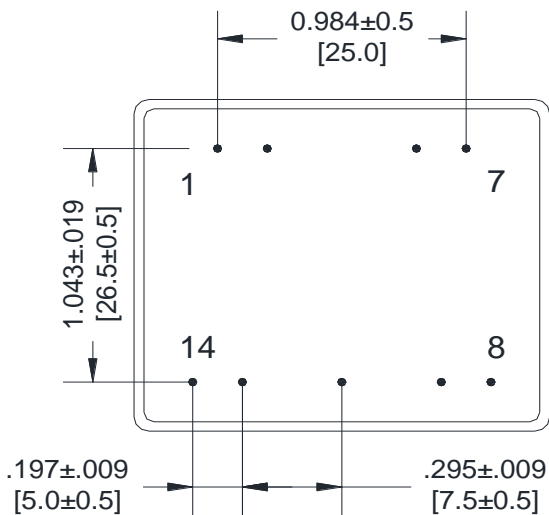
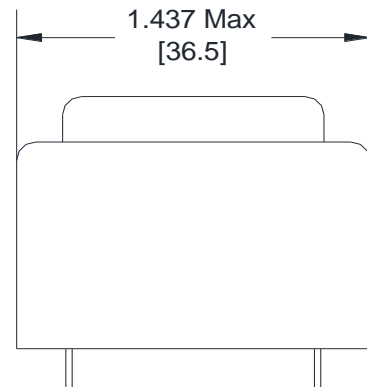
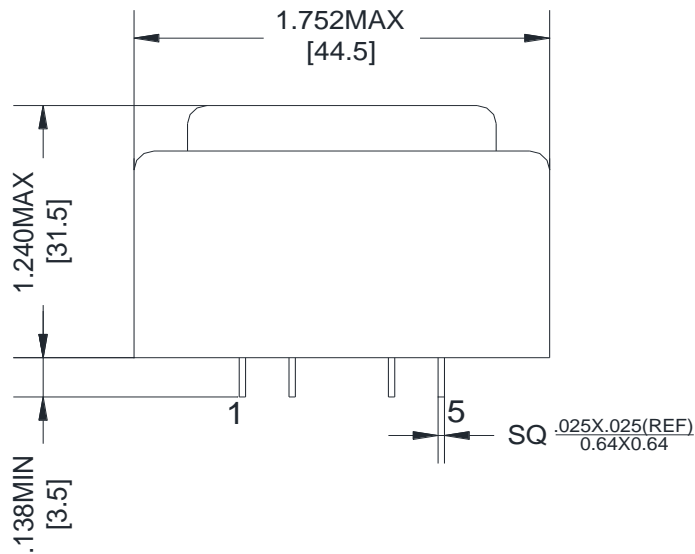
**ORDERING CODE**



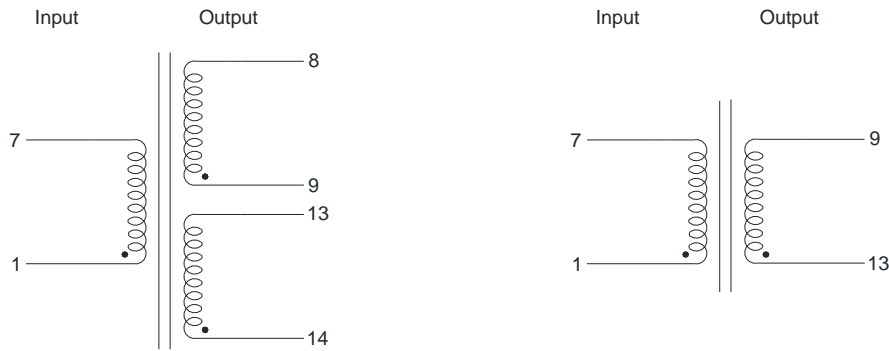
### FEATURES

- CQC Approved:  
CQC file No.CQC 1001054660
- Vacuum Filling
- Split Bobbin Design
- Self-Extinguishing Plastics UL94V-0
- Dielectric Strength:  
INPUT:230V 4200Vrms  
INPUT:115V 2800Vrms
- Operation Frequency:50/60Hz
- Resin Class B IEC 85  
(20,000 h Testing to IEC 216)
- 100% Production Tested

### OUTLINE DIMENSIONS



### SCHEMATIC DIAGRAM:



Dual outputs

Single output

### ELECTRONIC SPECIFICATIONS

Secondary Protection (mA)	Order Number	Input Voltage (V)	No-load Voltage (V)	SEC. Voltage (V)	Rated Current (mA)	Rated Power (VA)	Ambient TEMP. (°C)	Weight (g)	Certificate			
									VDE	UL	CQC	CE
T800	BV421S06050	115V	8.4	6	833	5.0VA	T 70 B	180g				•
T630	BV421S09050	115V	12.6	9	556	5.0VA	T 70 B	180g				•
T500	BV421S10050	115V	13.5	10	500	5.0VA	T 70 B	180g				•
T400	BV421S12050	115V	16.9	12	417	5.0VA	T 70 B	180g				•
T400	BV421S13050	115V	17.5	13	385	5.0VA	T 70 B	180g				•
T315	BV421S15050	115V	21	15	333	5.0VA	T 70 B	180g				•
T315	BV421S18050	115V	24.8	18	278	5.0VA	T 70 B	180g				•
T200	BV421S24050	115V	33.7	24	208	5.0VA	T 70 B	180g				•
T400	BV421D06050	115V	2x8.4	2x6	2x433	5.0VA	T 70 B	180g				•
T315	BV421D09050	115V	2x12.6	2x9	2x278	5.0VA	T 70 B	180g				•
T250	BV421D10050	115V	2x13.5	2x10	2x250	5.0VA	T 70 B	180g				•
T200	BV421D12050	115V	2x16.9	2x12	2x208	5.0VA	T 70 B	180g				•
T200	BV421D13050	115V	2x17.5	2x13	2x192	5.0VA	T 70 B	180g				•
T160	BV421D15050	115V	2x21	2x15	2x167	5.0VA	T 70 B	180g				•
T160	BV421D18050	115V	2x24.8	2x18	2x139	5.0VA	T 70 B	180g				•
T100	BV422D24050	115V	2x33.7	2x24	2x104	5.0VA	T 70 B	180g				•
T800	BV422S06050	220V	8.4	6	833	5.0VA	T 70 B	180g			•	•
T630	BV422S09050	220V	12.6	9	556	5.0VA	T 70 B	180g			•	•
T500	BV422S10050	220V	13.5	10	500	5.0VA	T 70 B	180g			•	•
T400	BV422S12050	220V	16.9	12	417	5.0VA	T 70 B	180g			•	•
T400	BV422S13050	220V	17.5	13	385	5.0VA	T 70 B	180g			•	•
T315	BV422S15050	220V	21	15	333	5.0VA	T 70 B	180g			•	•
T315	BV422S18050	220V	24.8	18	278	5.0VA	T 70 B	180g			•	•
T200	BV422S24050	220V	33.7	24	208	5.0VA	T 70 B	180g			•	•
T400	BV422D06050	220V	2x8.4	2x6	2x433	5.0VA	T 70 B	180g			•	•
T315	BV422D09050	220V	2x12.6	2x9	2x278	5.0VA	T 70 B	180g			•	•
T250	BV422D10050	220V	2x13.5	2x10	2x250	5.0VA	T 70 B	180g			•	•
T200	BV422D12050	220V	2x16.9	2x12	2x208	5.0VA	T 70 B	180g			•	•
T200	BV422D13050	220V	2x17.5	2x13	2x192	5.0VA	T 70 B	180g			•	•
T160	BV422D15050	220V	2x21	2x15	2x167	5.0VA	T 70 B	180g			•	•
T160	BV422D18050	220V	2x24.8	2x18	2x139	5.0VA	T 70 B	180g			•	•
T100	BV422D24050	220V	2x33.7	2x24	2x104	5.0VA	T 70 B	180g			•	•