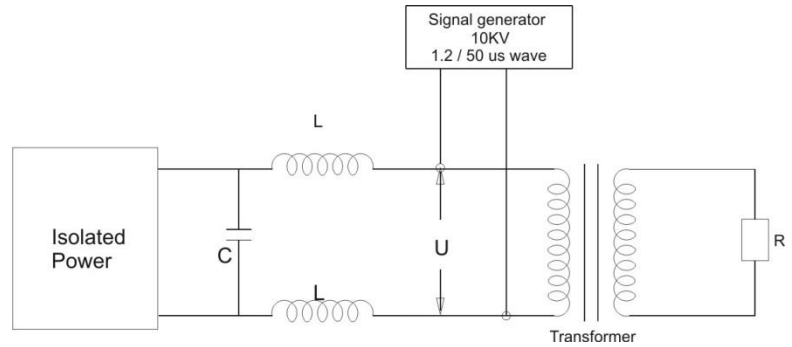


2.3VA SURGE PROTECTED TRANSFORMER EI30-18

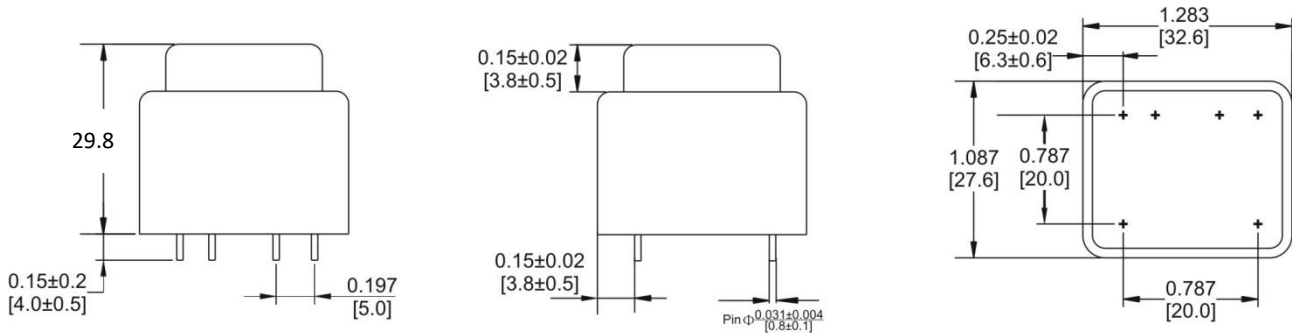
FEATURES

- Withstand 10KV surge test.
- Encapsulated Design Prevent dust and humidity
- Self-Extinguishing Plastic 94V-0
- High efficiency, Low Temperature Rise
- Dielectric Strength 4200VAC
- Class B (130° C) insulation material.
- Operating temperature from -40 ° C to 70° C
- Storage temperature from -40 ° C to 120° C
- Design according to IEC61588

SURGE TEST SCHEMATIC:



OUTLINE DIMENSIONS



OUTLINE DIMENSIONS

Order Number	Input Voltage (V)	SEC. Voltage (V)	Rated Current (mA)	Rated Power (VA)	No-load Voltage (V)	Ambient TEMP. (°C)	Surge Voltage	Weight (g)
HS301S06023	115V	6	383	2.3VA	10.4	T 70 B	10KV	110
HS301S09023	115V	9	256	2.3VA	14.5	T 70 B	10KV	110
HS301S10023	115V	10	230	2.3VA	15.5	T 70 B	10KV	110
HS301S12023	115V	12	192	2.3VA	20.7	T 70 B	10KV	110
HS301S15023	115V	15	153	2.3VA	25.8	T 70 B	10KV	110
HS301S18023	115V	18	128	2.3VA	30.8	T 70 B	10KV	110
HS301S24023	115V	24	96	2.3VA	41.4	T 70 B	10KV	110
HS302S06023	230V	6	383	2.3VA	10.4	T 70 B	10KV	110
HS302S09023	230V	10	256	2.3VA	14.5	T 70 B	10KV	110
HS302S10023	230V	9	230	2.3VA	15.5	T 70 B	10KV	110
HS302S12023	230V	12	192	2.3VA	20.7	T 70 B	10KV	110
HS302S15023	230V	15	153	2.3VA	25.8	T 70 B	10KV	110
HS302S18023	230V	18	128	2.3VA	30.8	T 70 B	10KV	110
HS302S24023	230V	24	96	2.3VA	41.4	T 70 B	10KV	110