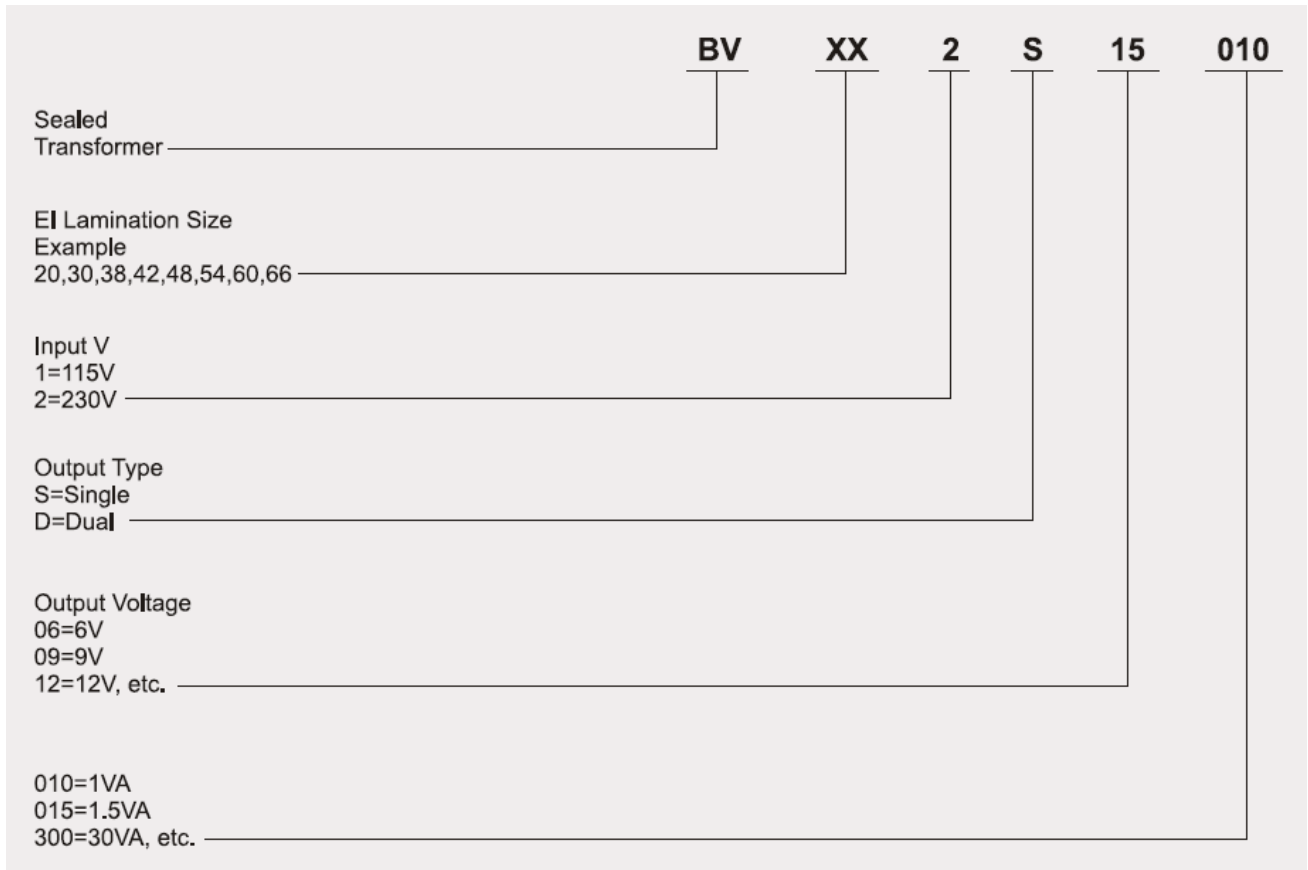


10.0VA SEALED TRANSFORMER EI48X16.8 SERIES



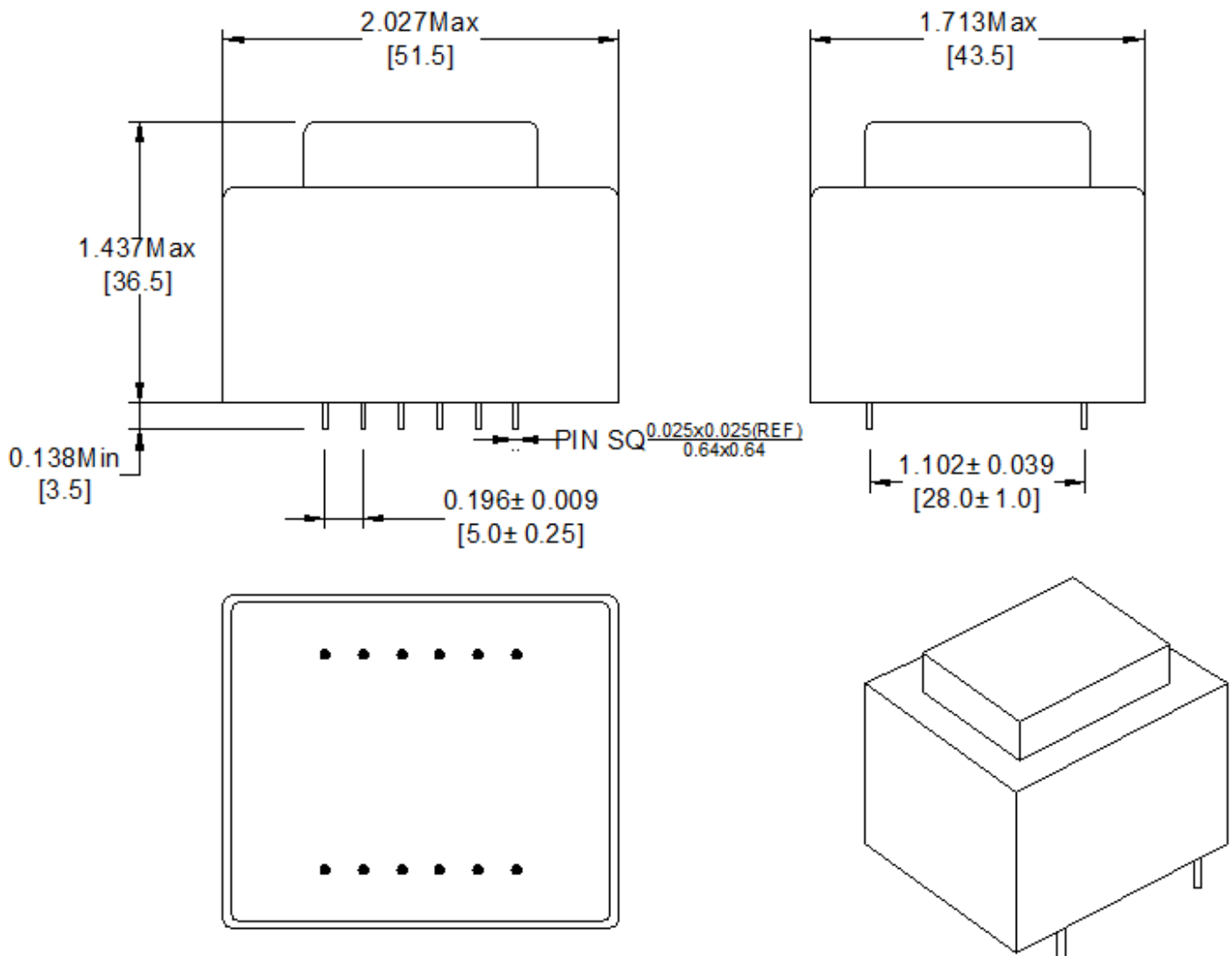
ORDERING CODE



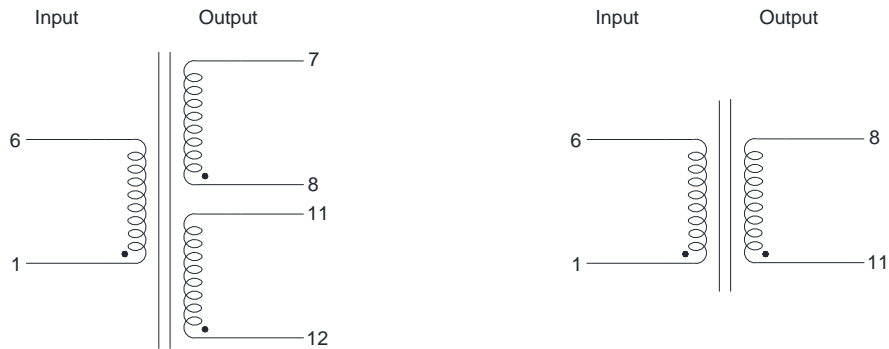
FEATURES

- CQC Approved:
CQC file No.CQC 1001054660
- Vacuum Filling
- Split Bobbin Design
- Self-Extinguishing Plastics UL94V-0
- Dielectric Strength:
INPUT:230V 4200Vrms
INPUT:115V 2800Vrms
- Operation Frequency:50/60Hz
- Resin Class B IEC 85
(20,000 h Testing to IEC 216)
- 100% Production Tested

OUTLINE DIMENSIONS



SCHEMATIC DIAGRAM:



Dual outputs

Single output

ELECTRONIC SPECIFICATIONS

Secondary Protection (mA)	Order Number	Input Voltage (V)	No-load Voltage (V)	SEC. Voltage (V)	Rated Current (mA)	Rated Power (VA)	Ambient TEMP (°C)	Weight (g)	Certificate			
									VDE	UL	CQC	CE
T125	BV481S06100	115V	7.5	6	1667	10.0VA	T 50 B	245g				•
T125	BV481S09100	115V	11.5	9	1111	10.0VA	T 50 B	245g				•
T125	BV481S10100	115V	12.5	10	1000	10.0VA	T 50 B	245g				•
T125	BV481S12100	115V	15	12	833	10.0VA	T 50 B	245g				•
T125	BV481S15100	115V	18.8	15	667	10.0VA	T 50 B	245g				•
T125	BV481S18100	115V	22.5	18	556	10.0VA	T 50 B	245g				•
T125	BV481S24100	115V	30	24	417	10.0VA	T 50 B	245g				•
T125	BV481D06100	115V	2x7.5	2x6	2x833	10.0VA	T 50 B	245g				•
T125	BV481D09100	115V	2x11.5	2x9	2x556	10.0VA	T 50 B	245g				•
T125	BV481D10100	115V	2x12.5	2x10	2x500	10.0VA	T 50 B	245g				•
T125	BV481D12100	115V	2x15	2x12	2x417	10.0VA	T 50 B	245g				•
T125	BV481D15100	115V	2x18.8	2x15	2x333	10.0VA	T 50 B	245g				•
T125	BV481D18100	115V	2x22.5	2x18	2x278	10.0VA	T 50 B	245g				•
T125	BV481D24100	115V	2x30	2x24	2x208	10.0VA	T 50 B	245g				•
T63	BV482S06100	230V	7.5	6	1667	10.0VA	T 50 B	245g			•	•
T63	BV482S09100	230V	11.5	9	1111	10.0VA	T 50 B	245g			•	•
T63	BV482S10100	230V	12.5	10	1000	10.0VA	T 50 B	245g			•	•
T63	BV482S12100	230V	15	12	833	10.0VA	T 50 B	245g			•	•
T63	BV482S15100	230V	18.8	15	667	10.0VA	T 50 B	245g			•	•
T63	BV482S18100	230V	22.5	18	556	10.0VA	T 50 B	245g			•	•
T63	BV482S24100	230V	30	24	417	10.0VA	T 50 B	245g			•	•
T63	BV482D06100	230V	2x7.5	2x6	2x833	10.0VA	T 50 B	245g			•	•
T63	BV482D09100	230V	2x11.5	2x9	2x556	10.0VA	T 50 B	245g			•	•
T63	BV482D10100	230V	2x12.5	2x10	2x500	10.0VA	T 50 B	245g			•	•
T63	BV482D12100	230V	2x15	2x12	2x417	10.0VA	T 50 B	245g			•	•
T63	BV482D15100	230V	2x18.8	2x15	2x333	10.0VA	T 50 B	245g			•	•
T63	BV482D18100	230V	2x22.5	2x18	2x278	10.0VA	T 50 B	245g			•	•
T63	BV482D24100	230V	2x30	2x24	2x208	10.0VA	T 50 B	245g			•	•