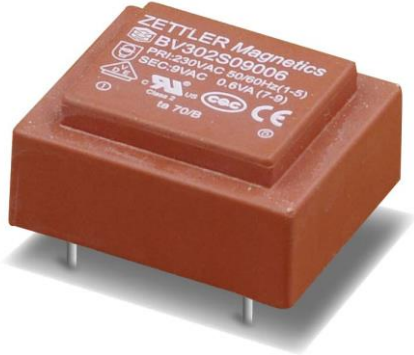
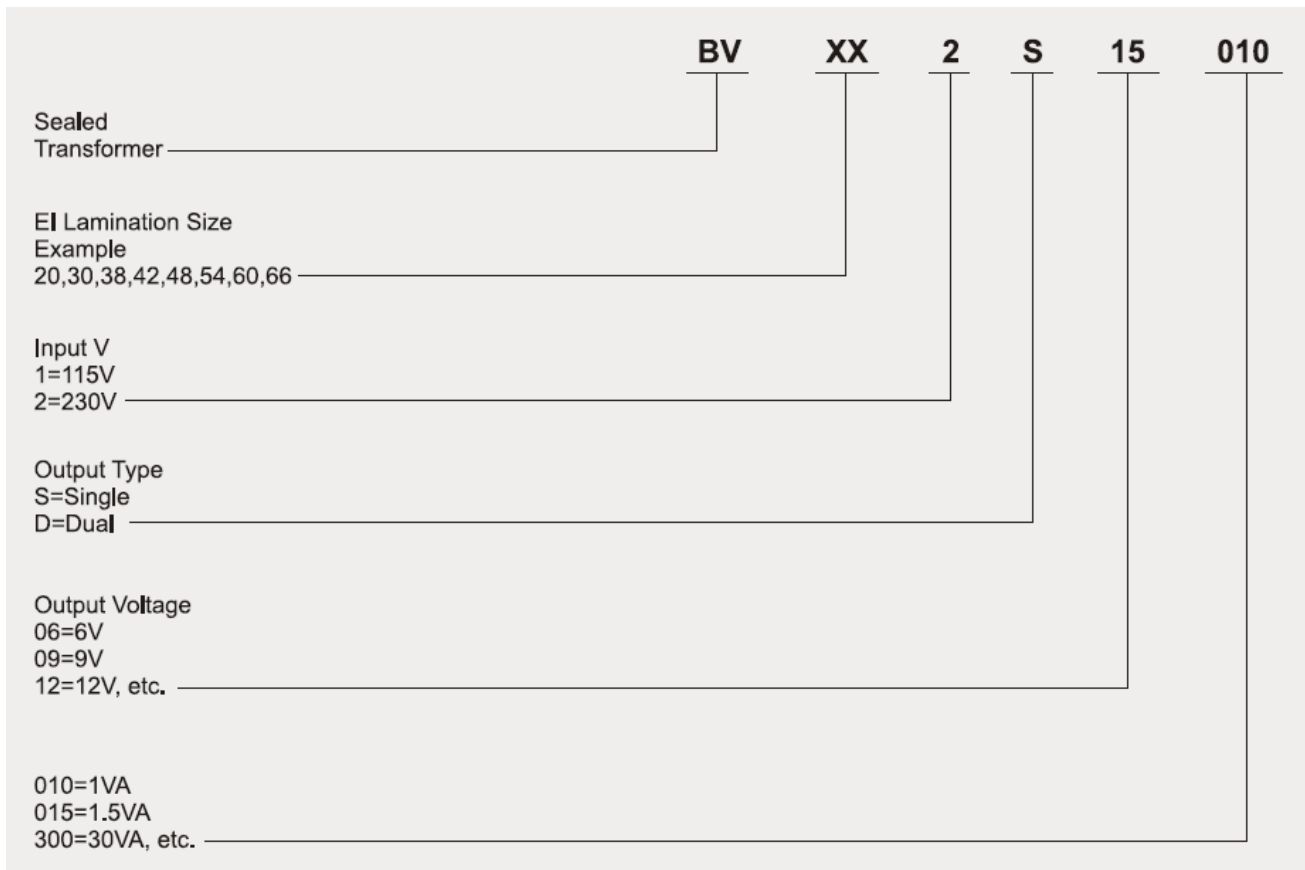


0.6VA SEALED TRANSFORMER EI30 SERIES



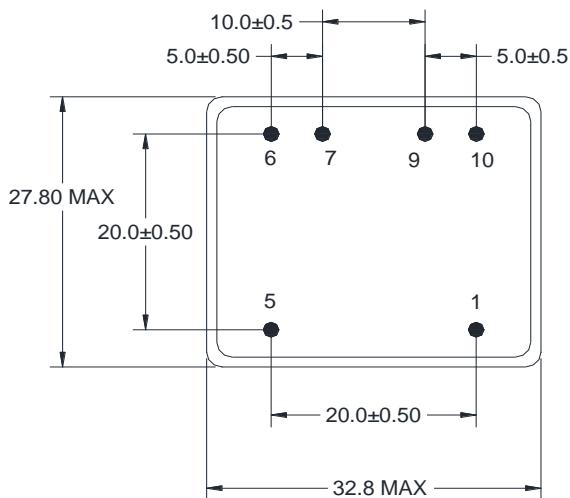
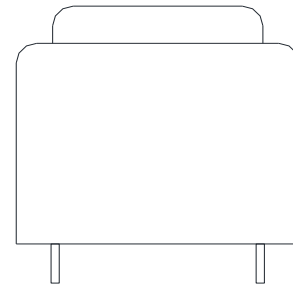
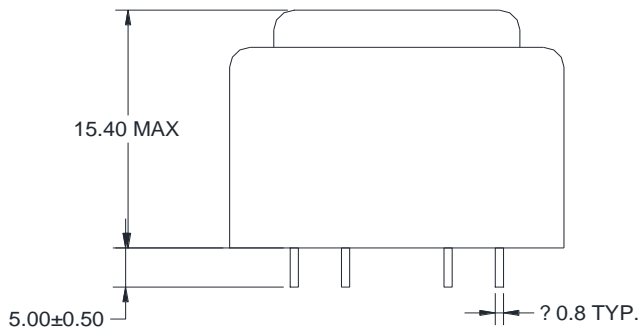
ORDERING CODE



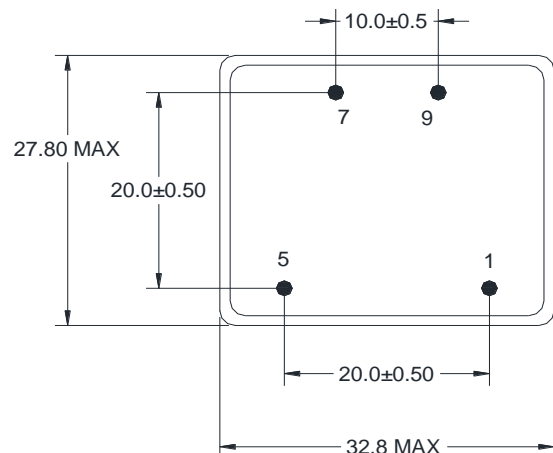
FEATURES

- VDE,UL5085-1,-2,-3,CE Approved:
 - UL file No.E214561 class 2/3
 - VDE file No. 40022230
 - CQC file No.: CQC09001030821
- Vacuum Filling
- Split Bobbin Design
- Self-Extinguishing Plastics UL94V-0
- Dielectric Strength 4200Vrms
- Inherently Energy Limited
- Resin Class B IEC 85
 - (20,000 h Testing to IEC 216)
- Conforms to EN 61558 and EN 60950
- 100% Production Tested

OUTLINE DIMENSIONS

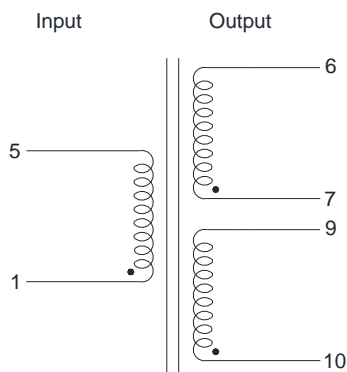


Dual outputs

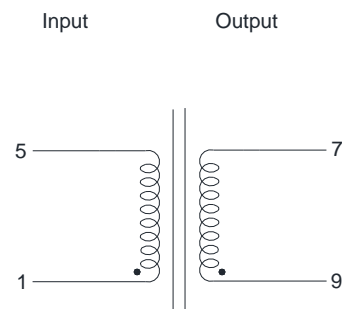


Single output

SCHEMATIC DIAGRAM:



Dual outputs



Single output

ELECTRONIC SPECIFICATIONS

Order Number	Input Voltage	SEC.Voltage (V)	Rated Power (VA)	No-load Voltage (V)	Ambient TEMP. (°C)	Weight (g)	Certificate			
							VDE	UL	CQC	CE
BV301S06006	115V 50/60Hz	6	0.6	10.5 Max	T 70 B	40	●	★		●
BV301S09006	115V 50/60Hz	9	0.6	15.8 Max	T 70 B	40	●	★		●
BV301S10006	115V 50/60Hz	10	0.6	16.5 Max	T 70 B	40	●	★		●
BV301S12006	115V 50/60Hz	12	0.6	20.5 Max	T 70 B	40	●	★		●
BV301S15006	115V 50/60Hz	15	0.6	26.5 Max	T 70 B	40	●	★		●

BV301S18006	115V 50/60Hz	18	0.6	30.5 Max	T 70 B	40	●	★		●
BV301S24006	115V 50/60Hz	24	0.6	40.9 Max	T 70 B	40	●	★		●
BV301D06006	115V 50/60Hz	2x6	0.6	2x10.5 Max	T 70 B	40	●	★		●
BV301D09006	115V 50/60Hz	2x9	0.6	2x15.8 Max	T 70 B	40	●	★		●
BV301D10006	115V 50/60Hz	2X10	0.6	2x16.5 Max	T 70 B	40	●	★		●
BV301D12006	115V 50/60Hz	2x12	0.6	2x20.5 Max	T 70 B	40	●	★		●
BV301D15006	115V 50/60Hz	2x15	0.6	2x26.5 Max	T 70 B	40	●	▲		●
BV301D18006	115V 50/60Hz	2x18	0.6	2x30.5 Max	T 70 B	40		▲		●
BV301D24006	115V 50/60Hz	2x24	0.6	2x40.5 Max	T 70 B	40		▲		●
BV302S06006	230V 50/60Hz	6	0.6	10.5 Max	T 70 B	40	●	★	●	●
BV302S09006	230V 50/60Hz	9	0.6	15.8 Max	T 70 B	40	●	★	●	●
BV302S10006	230V 50/60Hz	10	0.6	16.5 Max	T 70 B	40	●	★	●	●
BV302S12006	230V 50/60Hz	12	0.6	20.5 Max	T 70 B	40	●	★	●	●
BV302S15006	230V 50/60Hz	15	0.6	26.5 Max	T 70 B	40	●	★	●	●
BV302S18006	230V 50/60Hz	18	0.6	30.5 Max	T 70 B	40	●	★	●	●
BV302S24006	230V 50/60Hz	24	0.6	40.9 Max	T 70 B	40	●	★	●	●
BV302D06006	230V 50/60Hz	2x6	0.6	2x10.5 Max	T 70 B	40	●	★	●	●
BV302D09006	230V 50/60Hz	2x9	0.6	2x15.8 Max	T 70 B	40	●	★	●	●
BV302D10006	230V 50/60Hz	2X10	0.6	2x16.5 Max	T 70 B	40	●	★	●	●
BV302D12006	230V 50/60Hz	2x12	0.6	2x20.5 Max	T 70 B	40	●	★	●	●
BV302D15006	230V 50/60Hz	2x15	0.6	2x26.5 Max	T 70 B	40	●	▲	●	●
BV302D18006	230V 50/60Hz	2x18	0.6	2x30.5 Max	T 70 B	40		▲		●
BV302D24006	230V 50/60Hz	2x24	0.6	2x40.5 Max	T 70 B	40		▲		●