

44000 Series EI 42-14.8 (5VA)

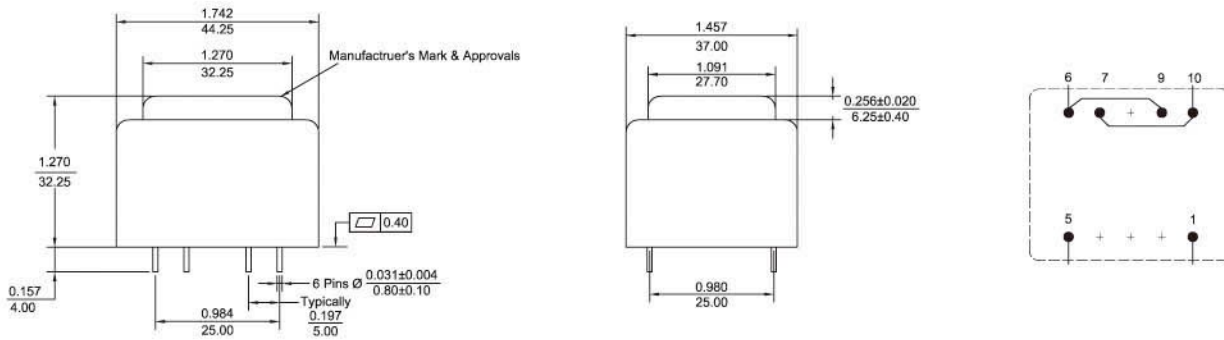


FEATURES

- UL and VDE Approvals
- Vacuum Filled
- Split Bobbin Design
- Self-Extinguishing Plastics UL94V-0
- Dielectric Strength 4200Vrms
- Inherently energy limited
- Resin Class B IEC 85(20,000h Testing to IEC 216)
- Conforms to EN 60742
- 100% Production Tested
- Weight: 200grams

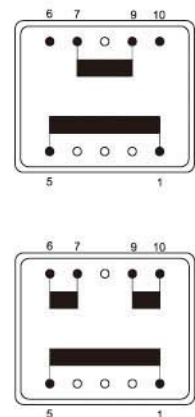


OUTLINE DIMENSIONS



ELECTRICAL SPECIFICATIONS

ORDER NUMBER 115VAC	ORDER NUMBER 230VAC	SEC. VOLTAGE V	SEC. CURRENT mA	NO-LOAD VOLTAGE V	SEC. PROTECTION mA	AMBIENT TEMP. °C
44241	44229	6	833	8.4	800	50
44242	44230	9	556	12.6	630	50
44243	44231	12	417	16.9	400	50
44244	44232	15	333	21	315	50
44245	44233	18	278	25.3	315	50
44246	44234	24	208	33.7	200	50
44247	44235	2 x 6	2 x 417	2 x 8.4	400	50
44248	44236	2 x 9	2 x 278	2 x 12.6	315	50
44249	44237	2 x 12	2 x 208	2 x 16.9	200	50
44250	44238	2 x 15	2 x 167	2 x 21	160	50
44251	44239	2 x 18	2 x 139	2 x 25.3	160	50
44252	44240*	2 x 24	2 x 104	2 x 33.7	100	50



Note: Circuit isolation protection is provided per EN 60742

- Limited Approval Ratings