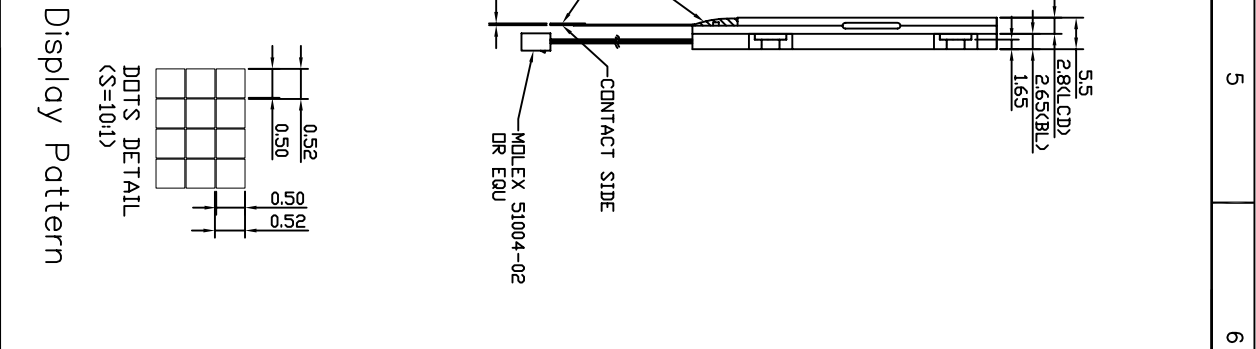
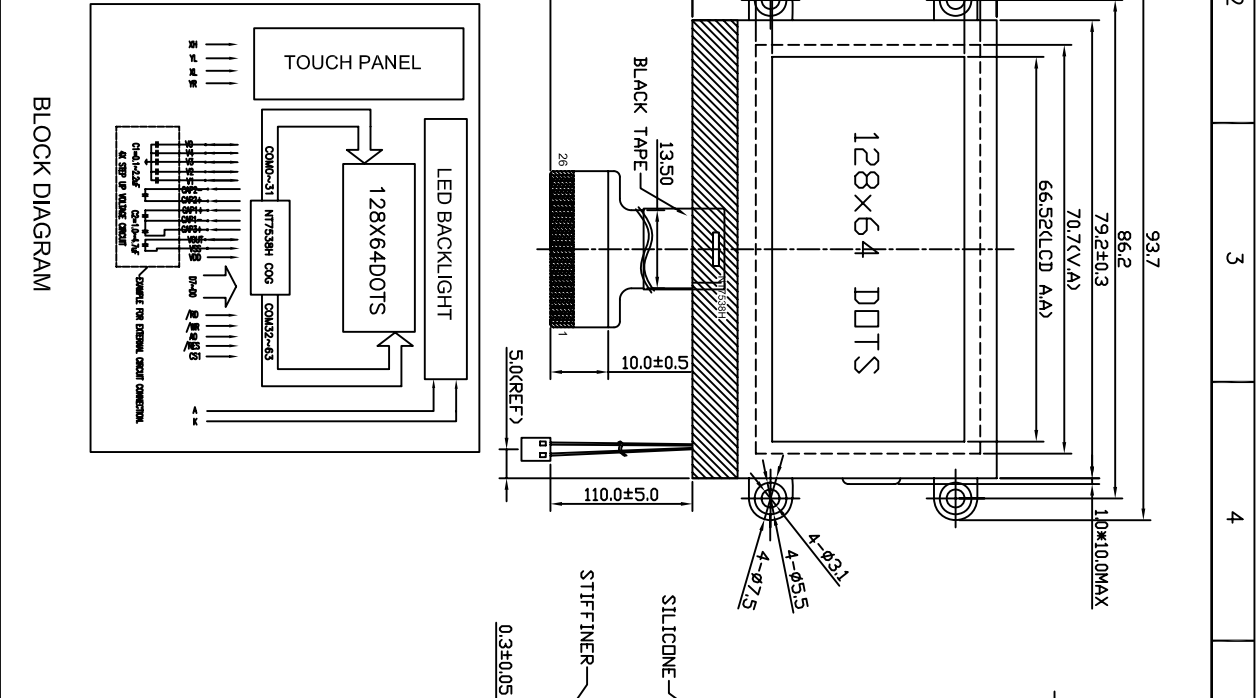


LED WIRE	
NO	SYMBOL
1	ANODE
2	CATHODE

26	V0
25	V4
24	V3
23	V2
22	V1
21	CAP2-
20	CAP2+
19	CAP1+
18	CAP1-
17	CAP3+
16	VOUT
15	VSS
14	VDD
13	D7
12	D6
11	D5
10	D4
9	D3
8	D2
7	D1
6	D0
5	/RD
4	/WR
3	/RES
2	/RES
1	CS1



ITEM	SELECTABLE CONTENTS
DISPLAY MODE	STN YELLOW MODE STN GRAY MODE STN BLUE MODE FSTN
POLARIZER TYPE	REFLECTIVE TRANSMISSIVE TRANSMISSIVE, POSITIVE TRANSMISSIVE, NEGATIVE
VIEWING DIRECTION	6 O'CLOCK 12 O'CLOCK WHITE Y-G RED GREEN AMBER
LED BACKLIGHT	...
TEMPERATURE RANGE	STANDARD TEMPERATURE WIDE TEMPERATURE
CHARACTER PATTERNS	...
OPERATING VOLTAGE	3V OR 3.3V
LCD DRIVING VOLTAGE	8.3V
LCD DRIVE METHOD	1/65 DUTY 1/9 BIAS
LCD DRIVE IC	NIT7538H
NOTE:	

THE PART NUMBER IN MASS PRODUCTION	
1. Y-G STN, TRANSMISSIVE LCD; Y-G BACKLIGHT; 6 O'CLOCK, WITH TP OR NOT;	
2. BLUE/STN, TRANSMISSIVE LCD; WHITE BACKLIGHT; 6 O'CLOCK, WITH TP OR NOT;	
3. --	
4. --	
5. --	
6. --	
UNIT	TOLERANCE
MM	X.X = ±0.2
3RD ANGLE	X.XX = ±0.10
ANG =	-
SCALE:	1:1
DRAWN:	
CHECKED:	
APPROVED:	
TITLE:	LCM
MODEL NO:	AQM1264C, J SERIES
PART NO:	
REV	A
SH NO	1/1

**DISPLAYTRONIC**

XIAMEN ZETTLER ELECTRONICS CO., LTD.