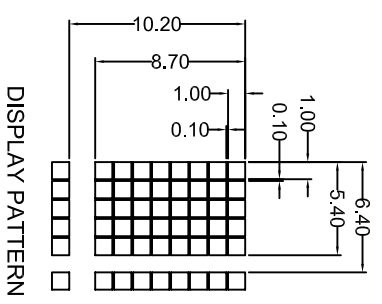
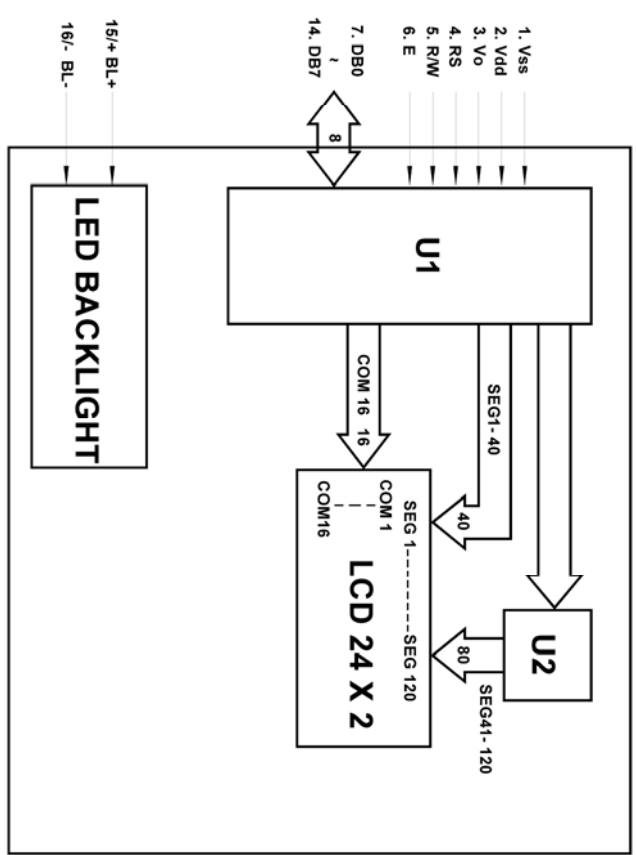


16	BL-
15	BL+
14	DB7
13	DB6
12	DB5
11	DB4
10	DB3
9	DB2
8	DB1
7	DB0
6	E
5	R/W
4	RS
3	VO
2	VDD(SV)
1	VSS
PIN	SYMBOL



THE PART NUMBER IN MASS PRODUCTION
1.GRAY OR Y-G STN, TRANSPARENTIVE LCD; Y-G BACKLIGHT; 6 O'CLOCK OR 12 O'CLOCK;

UNIT	TOLERANCE
MM	X.X = ±0.2
3RD ANGLE	X.XX = ±0.10
ANG =	-
SCALE:	1:1
DRAWN:	
CHECKED:	
APPROVED:	

DISPLAYTRONIC

XIAMEN ZETTLER ELECTRONICS CO., LTD.

TITLE: LCM

MODEL NO: ACM2402F SERIES

PART NO:

1 2 3 4 5 6 7 8

ITEM	SELECTABLE CONTENTS
	STN YELLOW MODE
	STN GRAY MODE
	STN BLUE MODE
	FSTN
	REFLECTIVE
	TRANSPARENTIVE
	TRANSMISSIVE, POSITIVE
	TRANSMISSIVE, NEGATIVE
	6 O'CLOCK
	12 O'CLOCK
	WHITE
	Y-G
	RED
	GREEN
	BLUE
	AMBER
	TRI-COLOR
	STANDARD TEMPERATURE
	WIDE TEMPERATURE
	ENGLISH-JAPANESE FONTS
	ENGLISH-EUROPEAN FONTS
	ENGLISH-RUSSIAN FONTS
	CYRILLIC FONTS
	HEBREW FONTS
	OPERATING VOLTAGE
	5V
	4.5V
	LCD DRIVING VOLTAGE
	1/16 DUTY 1/5 BIAS
	LCD DRIVE METHOD
	SPLC780D1
	LCD DRIVE IC

NOTE:

- The backlight can be driven by pin 1, pin 2 or pin 15, pin 16 which is selectable.
- The voltage of backlight is depended on the backlight color and the value of current-limiting resistance.
- The operating voltage can be driven by 3.3v which is selectable.

REV	A
SH NO	1/1