

POWER FERRITE SWITCHING TRANSFORMERS

SIZE E25

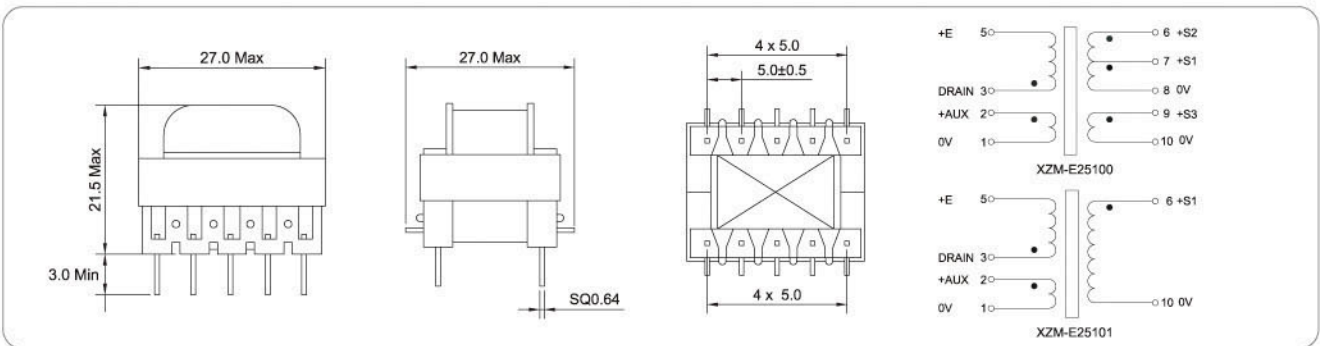
3 or 1 OUTPUTS:5+12/12v or 24v

PIN 4 Removed
PCB Hole Diameter=1.4mm

Part NO	Output Power Maximum	Windings					Inductance (+/-10%)	Ambient Temperature	Frequency
			Pins	Voltage	Current Maximum				
XZM-E25100	30w	Pri	3-5	185-265Vrms	1.5Apeak	750 μ H	< 50 °C	132KHZ	
		Aux	2-1	7-14.5Vdc	1Adc				
		S1	7-8	3.3-7Vdc	3Adc				
		S2	6-8	8-16Vdc	1.5Adc				
		S3	9-10	8-16Vdc	1.5Adc				
XZM-E25101	35w	Pri	3-5	185-265Vrms	1.1Apeak	1100 μ H	< 50 °C	132KHZ	
		Aux	2-1	8-16Vdc	1Adc				
		S1	6-10	15-30Vdc	1.4Adc				

Note for XZM-E25100: S2 and S3 can be connected in series or in parallel

OUTLINE DIMENSIONS



SCHEMATIC

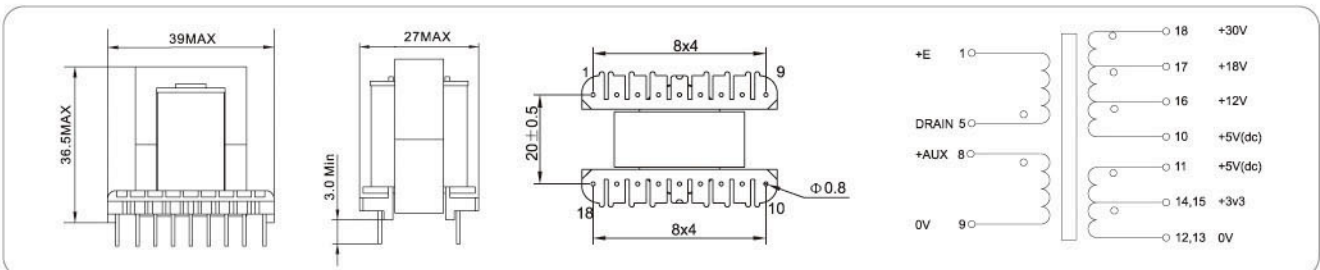
SIZE ERL28

5 OUTPUTS:3.3/5/12/18/30v

PCB Hole Diameter=1.3mm

Part NO	Output Power Maximum	Windings					Inductance (+/-10%)	Ambient Temperature	Frequency
			Pins	Voltage	Current Maximum				
XZM-EC2850	60w	Pri	5-1	185-265Vrms	3.0Apeak	500 μ H	< 50 °C	60 or 132KHZ	
		Aux	8-9	15Vdc	0.5Adc				
		S1	14+15/12+13	3.3Vdc	7Adc				
		S2	11/12+13	5Vdc	Sum S1+S2				
		S3	16-10	12Vdc	2Adc				
		S4	17-10	18Vdc	2Adc				
S5	18-10	30Vdc	0.5Adc						

OUTLINE DIMENSIONS



PCB Hole Diameter=1.3mm

SCHEMATIC