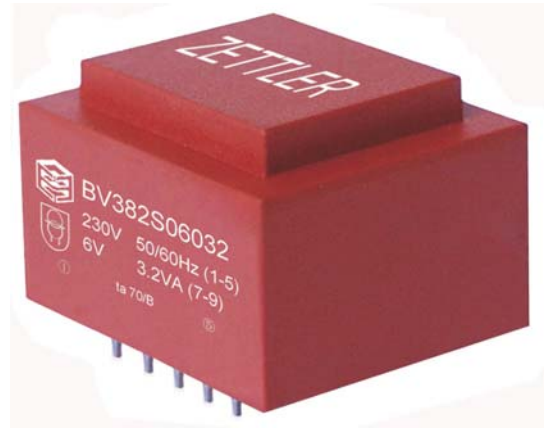


# EI38 SERISES SEALED POWER TRANSFORMER [ 3.2VA ]

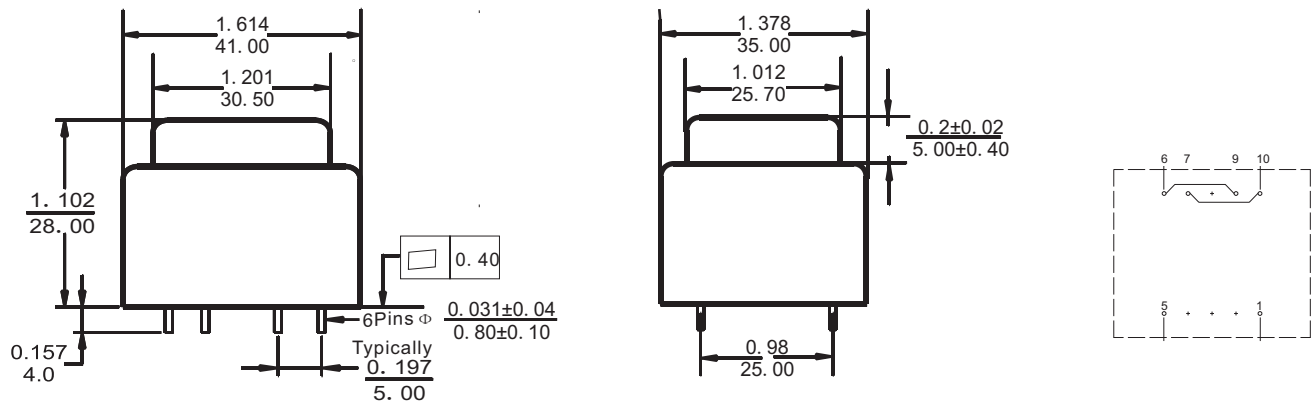


## FEATURES

- VDE Approvals
- Vacuum Filled
- Split Bobbin Design
- Self-Extinguishing Plastics UL94V-0
- Dielectric Strength 4200Vrms
- Non-Inherently Energy Limited
- Resin Class B IEC 85 (20,000 h Testing to IEC 216)
- Conforms to EN 61558 UL1585/UL506
- 100% Production Tested
- Weight:150 grams
- To be noted: 2x24V models are non VDE approved Those transformers meet all requirement of EN 61558-2-4

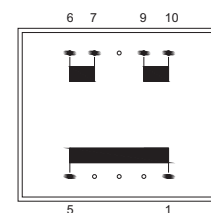
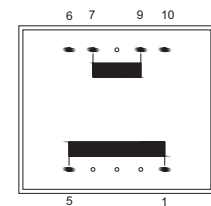
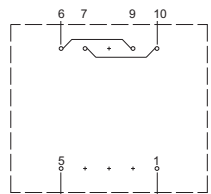


## OUTLINE DIMENSIONS



## ELECTRONIC SPECIFICATIONS

ORDER NUMBER 115VAC	ORDER NUMBER 230VAC	SEC. VOLTAGE V	SEC. CURRENT mA	No-load VOLTAGE V	SEC. PROTECTION mA	Ambient TEMP. °C
BV381S06032	BV382S06032	6	533	8	630	70
BV381S09032	BV382S09032	9	356	12	400	70
BV381S12032	BV382S12032	12	267	16	315	70
BV381S15032	BV382S15032	15	213	20	250	70
BV381S18032	BV382S18032	18	178	24	200	70
BV381S24032	BV382S24032	24	133	32	160	70
BV381D06032	BV382D06032	2 x 6	2 x 267	2 x 8	315	70
BV381D09032	BV382D09032	2 x 9	2 x 178	2 x 12	200	70
BV381D12032	BV382D12032	2 x 12	2 x 133	2 x 16	160	70
BV381D15032	BV382D15032	2 x 15	2 x 107	2 x 20	125	70
BV381D18032	BV382D18032	2 x 18	2 x 89	2 x 24	100	70
BV381D24032	BV382D24032	2 x 24	2 x 67	2 x 32	80	70



Note: Circuit isolation protection is provided per EN 61558

- Limited Approval Ratings