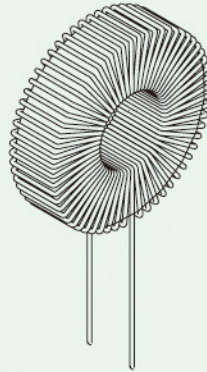


DIMMER CHOKES FOR EMI SUPPRESSION

FEATURES

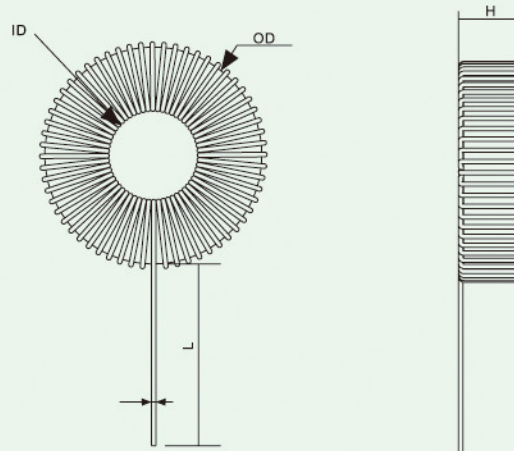
- For Noise Suppression in Light Dimmers
- Saturable Chokes: Provides a High Impedance for Triac Switching Interferences, and a Low Impedance for 50Hz Components.
- Electrical Characteristics at 25°C



ELECTRICAL CHARACTERISTICS:

ZETTLER P/N	Power	Inductance ±15%	Rated Current	Resistance	Associated Capacitor	Dimensions(mm)				Approx. Weight
						OD max	ID min	H max	W max	
XZM-T22100	150w	3.5mH	0.7 Arms	1.5 Ω	22nF	24	9	9.5	0.5	13 g
XZM-T25100	300w	2.8mH	1.3 Arms	0.73 Ω	47nF	29	10	11	0.7	24 g
XZM-T30100	500w	2.0mH	2.2 Arms	0.35 Ω	82nF	32.5	9	16	0.9	47 g
XZM-T42100	1000w	1.3mH	4.5 Arms	0.15 Ω	220nF	44	14	16.5	1.2	80 g
XZM-T47100	2200w	450uH	10 Arms	0.04 Ω	470nF	50	15	22.5	1.8	140 g
XZM-T51100	4500w	250uH	20 Arms	0.014 Ω	1uF	58	15	27	2.5	250 g
XZM-T36100	500w	1.8mH	2.2 Arms	0.37 Ω	82nF	38	14	12	0.9	39 g

OUTLINE DIMENSIONS



L=25+/10mm