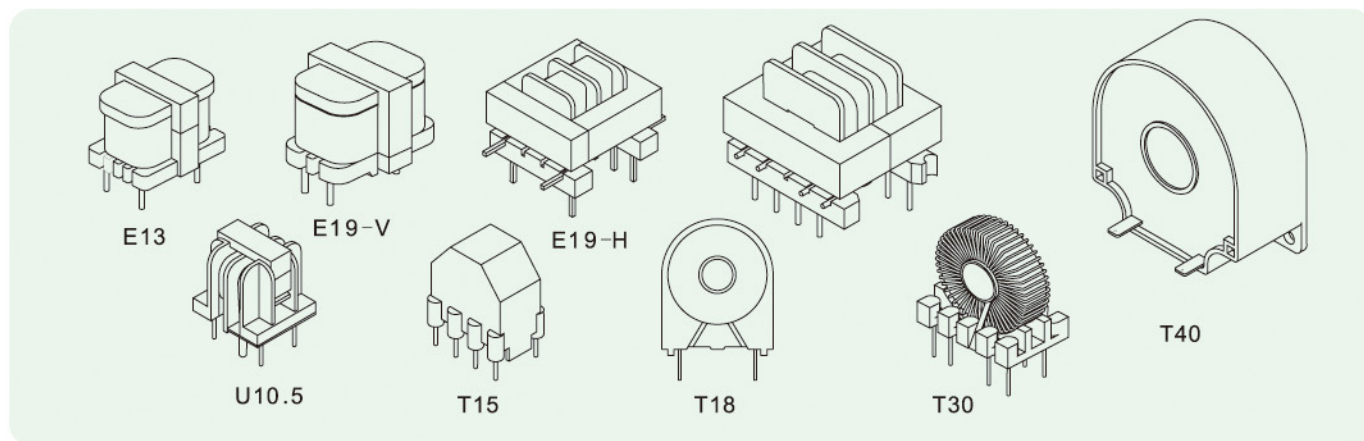


CURRENT TRANSFORMERS RANGE



FOR MAINS AC CURRENT MEASUREMENT -50 to 400Hz

Part NO	Size	Ratio	Current range
PIN PRIMARY -up to 25A			
XZM-E19103	E19-H	1/1/750	10A/20A
XZM-E19104	E19-V	1/500	15A
XZM-E25102	E25	1/1/1000	12.5A/25A
XZM-E25103	E25	1/1000	8A
XZM-E25104	E25	1/350	4A
XZM-U11107	U10.5	1/2000	8A
THRU-HOLE PRIMARY -up to 250A			
XZM-T18100	T18	1/1000	12A
XZM-T18101	T18	1/750	10A
XZM-T30102	T30	1/1000	60A
XZM-T40100,XZM-T40101,XZM-T40102	T40	1/500	100A
XZM-T40103,XZM-T40104,XZM-T40105	T40	1/1000	250A

FOR SWITCH MODE POWER SUPPLIES-20 to 150Hz

Part NO	Size	Ratio	Current range
PIN PRIMARY -up to 25A			
XZM-E19105	E19-H	1/1/100	10A/20A
XZM-E25105	E25	1/1/100	12.5A/25A
XZM-E13100	E13	1/100	10A
XZM-U11108	U10.5	1/100	10A
XZM-U11109	U10.5	1/100	10A
XZM-T15100	T15	1/1/50	10A/20A
THRU-HOLE PRIMARY -up to 200A			
XZM-T18102	T18	1/50	15A
XZM-T18103	T18	1/100	25A
XZM-T18104	T18	1/200	25A
XZM-T30103	T30	1/100	150A
XZM-T40106,XZM-T40107,XZM-T40108	T40	1/100	200A