

SEALED POWER TRANSFORMERS

44000 Series EI 60-21 (22VA)

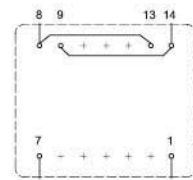
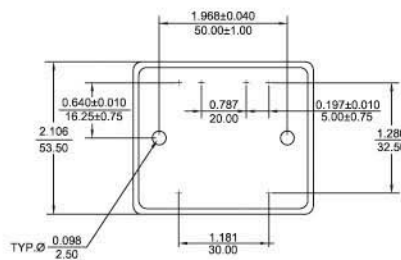
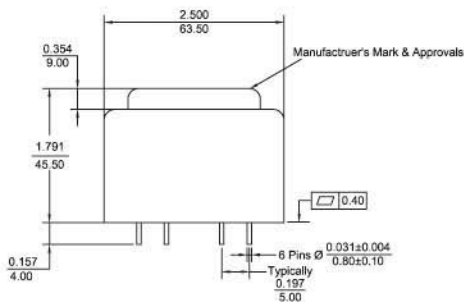


FEATURES

- UL and VDE Approvals
- Vacuum Filled
- Split Bobbin Design
- Self-Extinguishing Plastics UL94V-0
- Dielectric Strength 4200Vrms
- Inherently energy limited
- Resin Class B IEC 85(20,000h Testing to IEC 216)
- Conforms to EN 60742
- 100% Production Tested
- Weight: 500grams

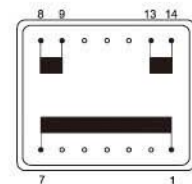
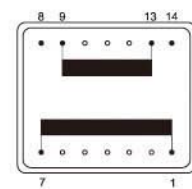


OUTLINE DIMENSIONS



ELECTRICAL SPECIFICATIONS

| ORDER NO. 115VAC Pri. Protection 250mA | ORDER NO. 230VAC Pri. Protection 125mA | SEC. VOLTAGE V | SEC. CURRENT mA | NO-LOAD VOLTAGE V | AMBIENT TEMP. °C |
|-------------------------------------------------|-------------------------------------------------|----------------------|-----------------------|-------------------------|------------------------|
| 44444 | 44432 | 6 | 3667 | 6.8 | 50 |
| 44445 | 44433 | 9 | 2444 | 10.3 | 50 |
| 44446 | 44434 | 12 | 1833 | 13.7 | 50 |
| 44447 | 44435 | 15 | 1467 | 17.1 | 50 |
| 44448 | 44436 | 18 | 1222 | 20.5 | 50 |
| 44449 | 44437 | 24 | 917 | 27.3 | 50 |
| 44450 | 44438 | 2 x 6 | 2 x 1883 | 2 x 6.8 | 50 |
| 44451 | 44439 | 2 x 9 | 2 x 1222 | 2 x 10.3 | 50 |
| 44452 | 44440 | 2 x 12 | 2 x 917 | 2 x 13.7 | 50 |
| 44453 | 44441 | 2 x 15 | 2 x 733 | 2 x 17.1 | 50 |
| 44454 | 44442 | 2 x 18 | 2 x 611 | 2 x 20.5 | 50 |
| 44455 | 44443* | 2 x 24 | 2 x 458 | 2 x 27.3 | 50 |



Note: Circuit isolation protection is provided per EN 60742

- Limited Approval Ratings