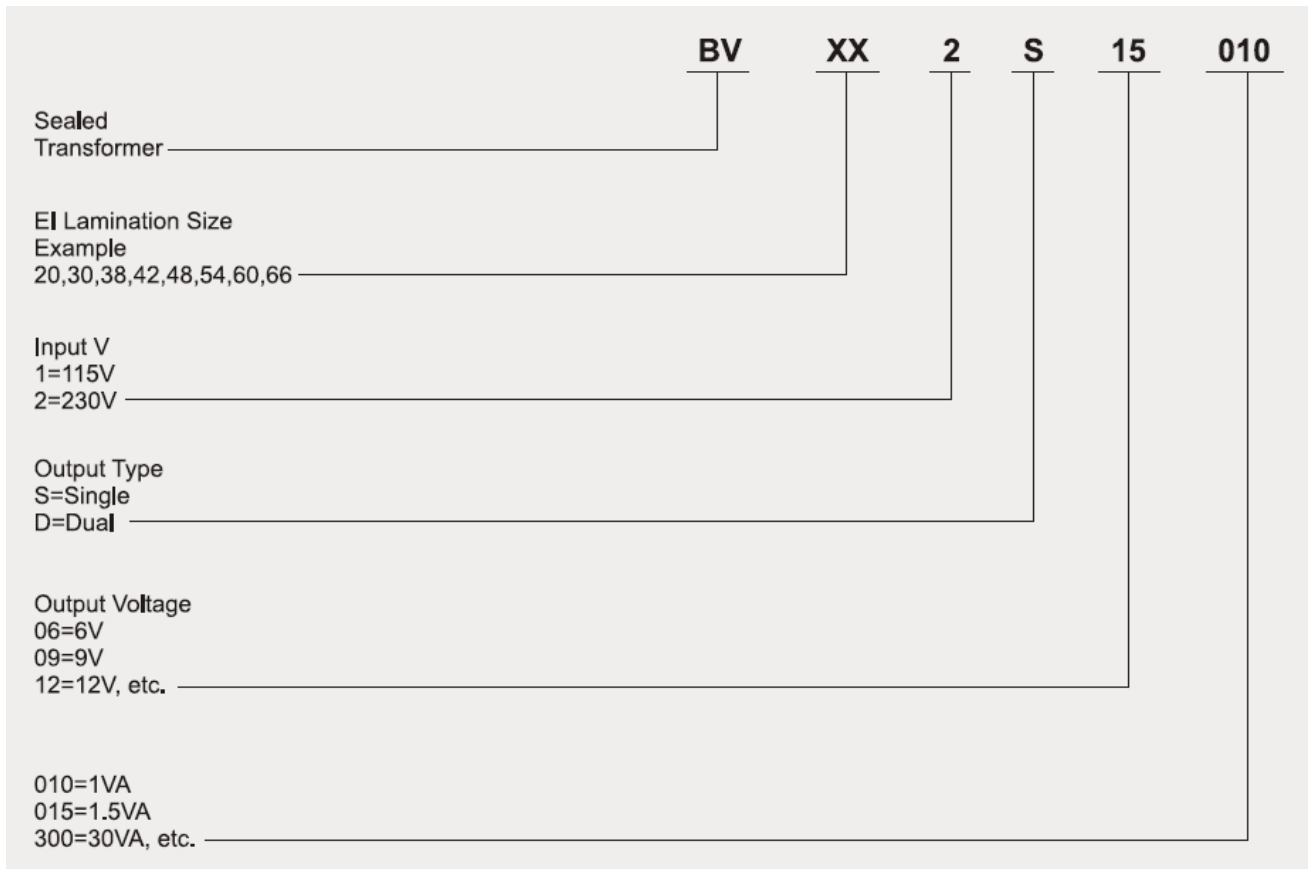


### 2.3VA SEALED TRANSFORMER EI30x18 SERIES



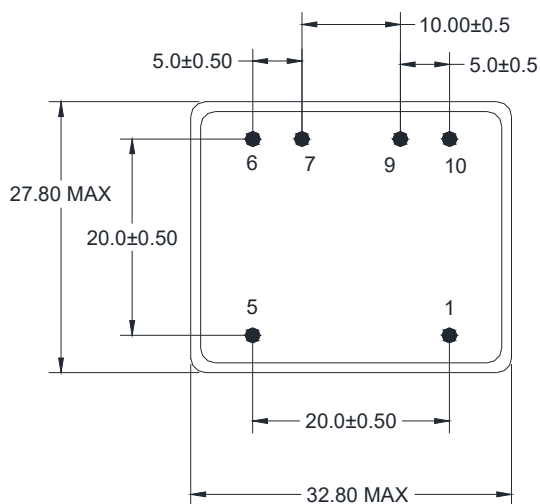
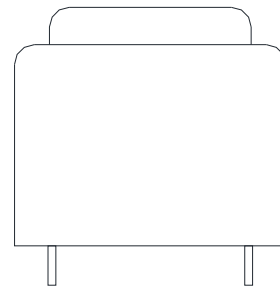
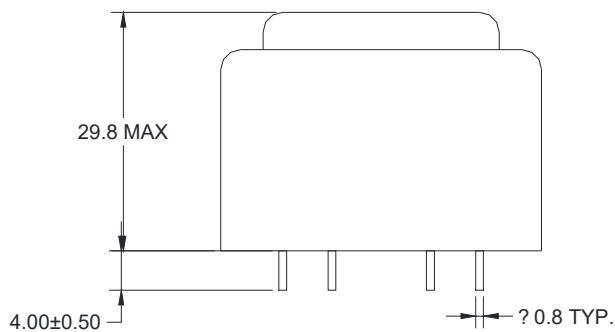
### ORDERING CODE



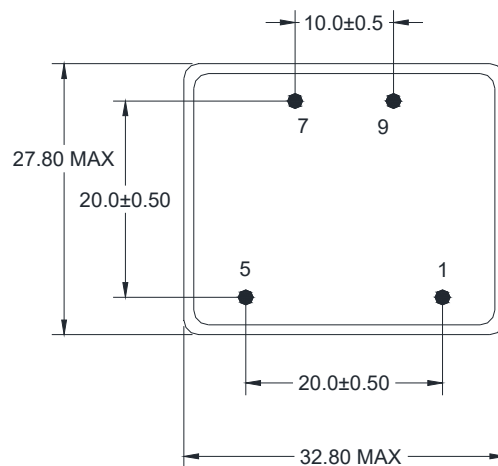
### FEATURES

- VDE, UL5085-1,-2,-3, CQC Approved:  
 UL file No. E214561 class 2/3 E177998  
 VDE file No.: 40022230  
 CQC file No.: CQC09001030821
- Vacuum Filling
- Split Bobbin Design
- Self-Extinguishing Plastics UL94V-0
- Dielectric Strength 4200Vrms
- Inherently Energy Limited
- Resin Class B IEC 85  
 (20,000 h Testing to IEC 216)
- Conforms to EN 61558 and EN 60950
- 100% Production Tested

### OUTLINE DIMENSIONS

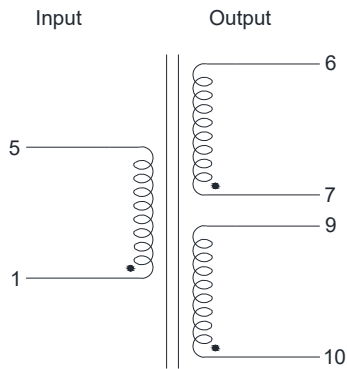


Dual outputs

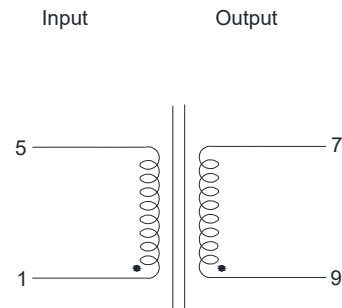


Single output

### SCHEMATIC DIAGRAM:



Dual outputs



Single output

### ELECTRONIC SPECIFICATIONS

Order Number	Input Voltage	SEC.Voltage (Vac)	Rated Power (VA)	No-load Voltage (V)	Ambient TEMP. (°C)	Weight (g)	Certificate			
							VDE	UL	CQC	CE
BV301S06023	115V 50/60Hz	6	2.3	10.5 Max	T 60 B	110	●	★		
BV301S09023	115V 50/60Hz	9	2.3	15.7 Max	T 60 B	110	●	★		
BV301S10023	115V 50/60Hz	10	2.3	16.5 Max	T 60 B	110	●	★		
BV301S12023	115V 50/60Hz	12	2.3	21.0 Max	T 60 B	110	●	★		
BV301S15023	115V 50/60Hz	15	2.3	25.9 Max	T 60 B	110	●	★		
BV301S18023	115V 50/60Hz	18	2.3	31.4 Max	T 60 B	110	●	★		
BV301S24023	115V 50/60Hz	24	2.3	41.9 Max	T 60 B	110	●	★		
BV301D06023	115V 50/60Hz	2×6	2.3	2x10.5Max	T 60 B	110	●	★		
BV301D09023	115V 50/60Hz	2×9	2.3	2x15.7 Max	T 60 B	110	●	★		
BV301D10023	115V 50/60Hz	2X10	2.3	2x16.5 Max	T 60 B	110	●	★		
BV301D12023	115V 50/60Hz	2×12	2.3	2x21.0 Max	T 60 B	110	●	★		
BV301D15023	115V 50/60Hz	2×15	2.3	2x25.9 Max	T 60 B	110	●	▲		
BV301D18023	115V 50/60Hz	2×18	2.3	2x31.4 Max	T 60 B	110		▲		
BV301D24023	115V 50/60Hz	2×24	2.3	2x41.9Max	T 60 B	110		▲	●	
BV302S06023	230V 50/60Hz	6	2.3	10.5 Max	T 60 B	110	●	★	●	
BV302S09023	230V 50/60Hz	9	2.3	15.7 Max	T 60 B	110	●	★	●	
BV302S10023	230V 50/60Hz	10	2.3	16.5 Max	T 60 B	110	●	★	●	
BV302S12023	230V 50/60Hz	12	2.3	21.0 Max	T 60 B	110	●	★	●	
BV302S15023	230V 50/60Hz	15	2.3	25.9 Max	T 60 B	110	●	★	●	
BV302S18023	230V 50/60Hz	18	2.3	31.4 Max	T 60 B	110	●	★	●	
BV302S24023	230V 50/60Hz	24	2.3	41.9 Max	T 60 B	110	●	★	●	
BV302D06023	230V 50/60Hz	2×6	2.3	2x10.5Max	T 60 B	110	●	★	●	
BV302D09023	230V 50/60Hz	2×9	2.3	2x15.7 Max	T 60 B	110	●	★	●	
BV302D10023	230V 50/60Hz	2X10	2.3	2x16.5 Max	T 60 B	110	●	★	●	
BV302D12023	230V 50/60Hz	2×12	2.3	2x21.0 Max	T 60 B	110	●	★	●	
BV302D15023	230V 50/60Hz	2×15	2.3	2x25.9 Max	T 60 B	110	●	★		
BV302D18023	230V 50/60Hz	2×18	2.3	2x31.4 Max	T 60 B	110		▲		
BV302D24023	230V 50/60Hz	2×24	2.3	2x41.9Max	T 60 B	110		▲		